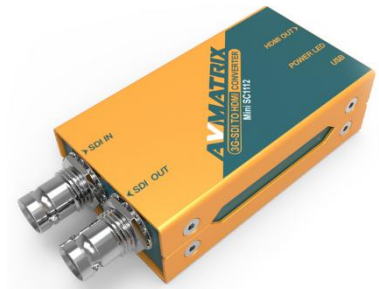


SDI To HDMI Mini Converter

Mini SC1112



Mini SC1112 is an exquisite and portable SDI to HDMI converter. With micro USB power supply, convenient and detachable mounting bracket, Mini SC1112 is the best choice for outdoors and indoors. With 3G-SDI input and SDI loop-out, Mini SC1112 can auto detect SD/HD/3G-SDI signal up to 1080p60, and support both Level A and Level B. HDMI -Type A output is compatible for more consumer electronics such as HDMI Television, projector, VCR, etc.

Connections

SDI Video Input

1×SD/HD/3G-SDI (75Ω BNC)

Multi Rate Support

Auto Detect SD/HD/3G-SDI

Power LED

Power indicator

SDI Video Loop Output

1×SD/HD/3G-SDI (75Ω BNC)

USB

Power and software update

SDI LED

SDI input signal indicator

HDMI Video Output

1×HDMI A



Standards

SDI Format Support

525i 59.94, 625i 50
720p 25/29.97/30/50/59.94/60
1080i 50/59.94/60
1080psf 23.98/24/25/29.97/30
1080p 23.98/24/25/29.97/30
1080p 50/59.94/60

SDI Video Rate

SD/HD/3G-SDI

SDI Color Space and Precision

YUV 4:2:2

SDI Compliance

SMPTE 259M
SMPTE 292M
SMPTE 424M

HDMI Format Support

480i 59.94, 576i 50
720p 25/29.97/30/50/59.94/60
1080i 50/59.94/60
1080p 23.98/24/25/29.97/30
1080p 50/59.94/60

HDMI Color Space and Precision

YUV 4:2:2

SDI Auto Switching

Auto selects SD/HD/3G-SDI on input

Power

Power

USB Type-C

Power Consumption

1.5W

Voltage Range

3.3V-5V

Physical Specifications

Dimension

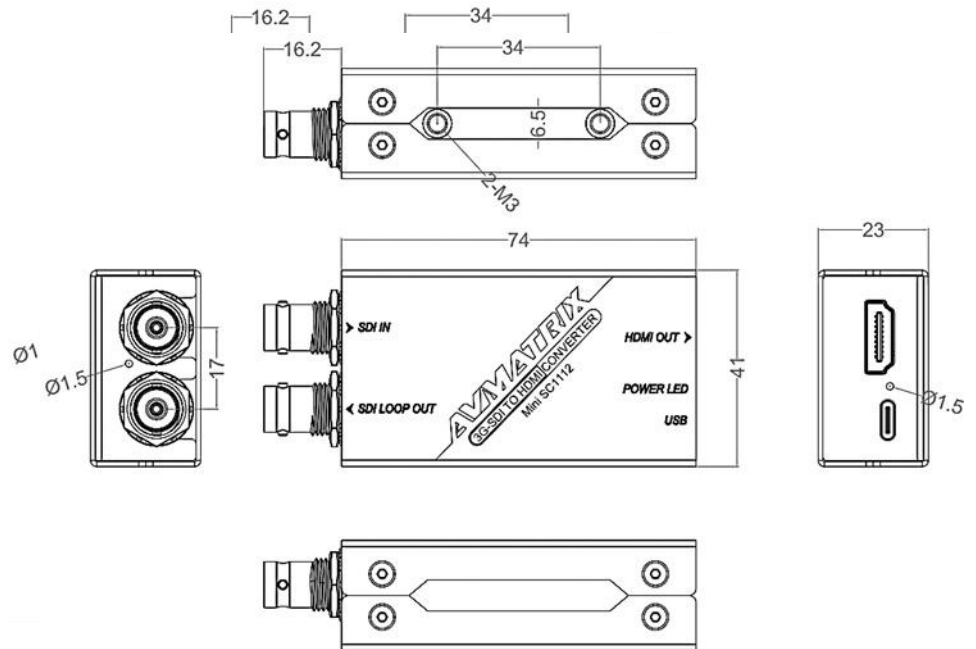
71×41×23mm

Net Weight

168g

Gross Weight

500g



Environmental Specifications

Operating Temperature

-20°C~60°C

Storage Temperature

-30°C~70°C

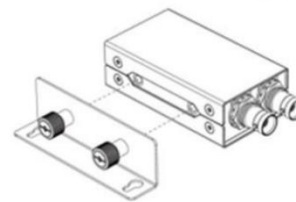
Relative Humidity

0%~90% non-condensing

What's Included

- Mini SC1112
- Mounting Bracket
- 5V Special Power Adapter
- USB Cable
- Technical Specifications

Mounting Diagram



Warranty

3 Year Limited Manufacturer's Warranty

✧ Note: due to constant effort to improve products and product features, specifications may change without notice.