

LILLIPUT®

969A/P 969A/O/P 969A/S 969B/P 969B/O/P



LED Field Monitor **with Advanced Functions**

Specific Monitor by LILLIPUT with Broadcast Quality for Full HD Camcorder
Application for CCTV Monitoring & Making Movies. Strongly recommend for directors!

- Wide viewing angles
- High resolution: 1024×768
- High brightness: 420cd/m²
- High contrast: 600:1
- Dual HDMI input
- USB 5V output for charging
- Wide voltage: DC 7-24V
- TALLY interface with indicating light
- Gimbal bracket for installation
- Comply with IP52 standard!

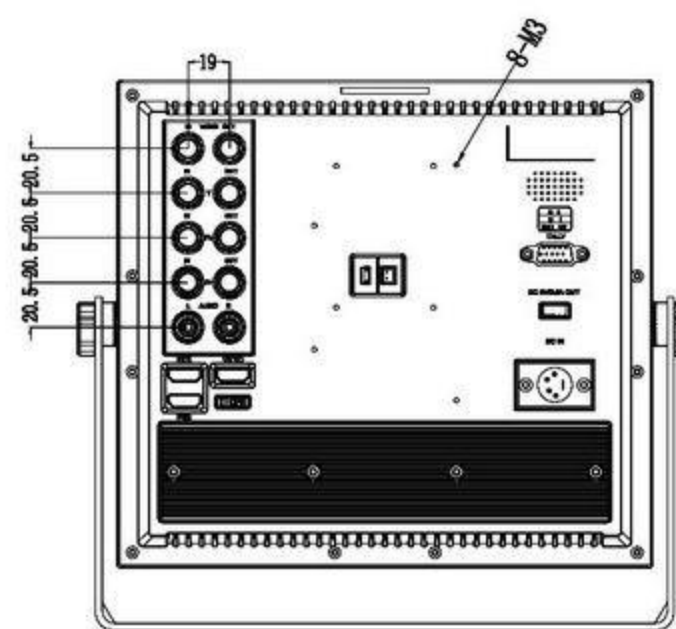
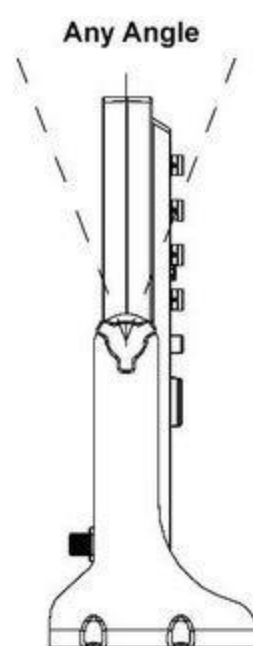
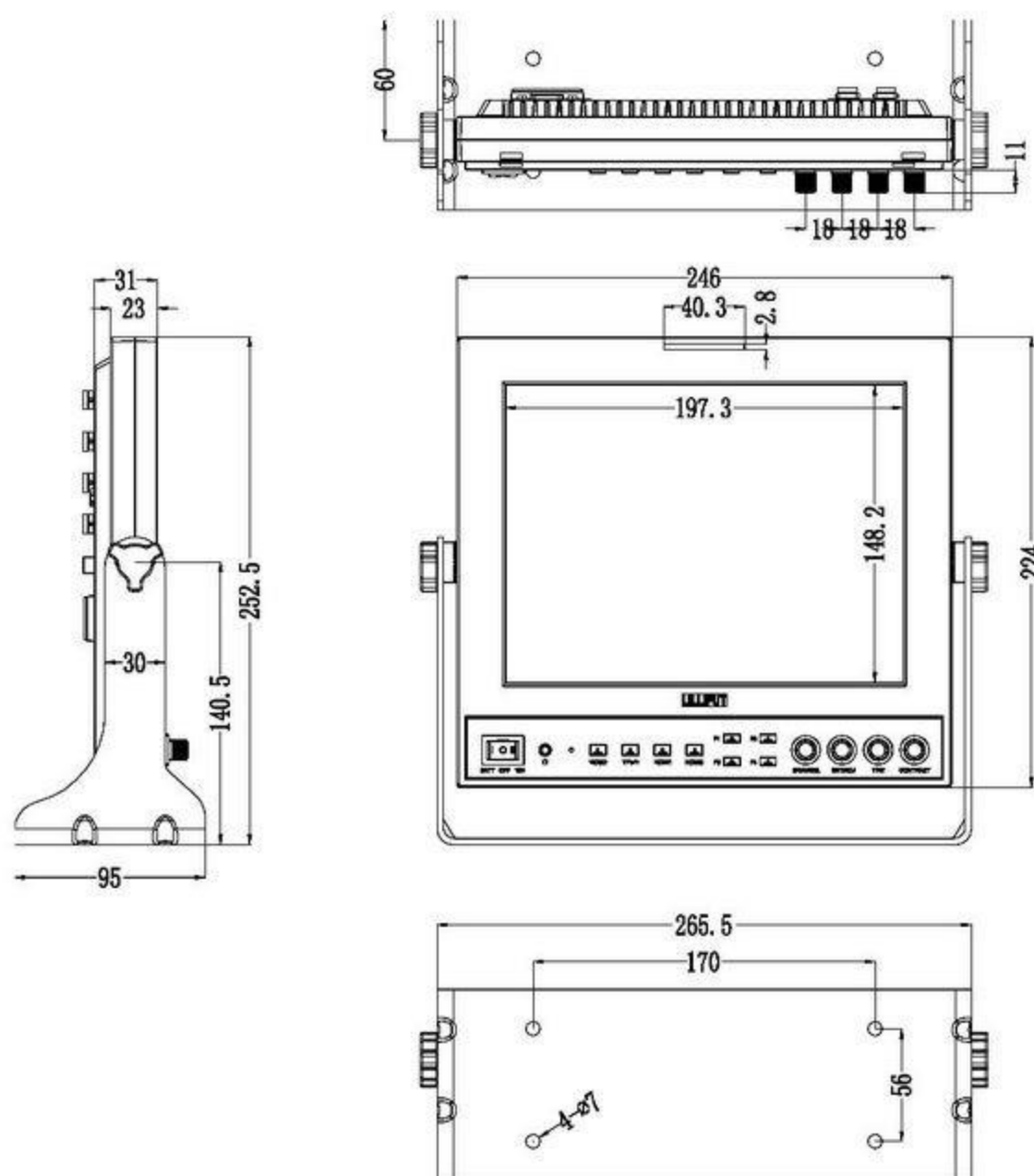


969A/P 969A/O/P
969B/P 969B/O/P

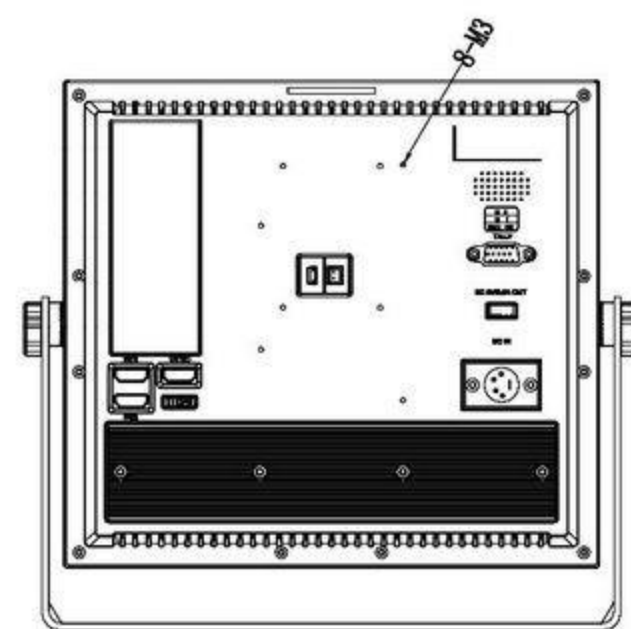
969A/S



Outline Dimension



969A(with BNC interfaces)*
Video / 3G-SDI interface for optional.



969B(without BNC interfaces)*



SPECIFICATIONS

ACCESSORIES

DISPLAY	Panel	9.7" LED backlit
	Physical Resolution	1024×768, support up to 1920×1080
	Aspect Ratio	4:3
	Brightness	420cd/ m ²
	Contrast	600:1
	Viewing Angle	178°/ 178°(H/V)
INPUT	HDMI	2
	YPbPr	3(BNC)
	VIDEO/3G-SDI	1(optional)
	TALLY	1
	AUDIO	2 (L/R)
OUTPUT	HDMI	1
	YPbPr	3(BNC)
	VIDEO/3G-SDI	1(optional)
	USB	1(5V)
AUDIO	Speaker	1(built-in)
	Ear Phone Slot	1(built-in)
POWER	Current	1500mA
	Input Voltage	DC 7-24V (XLR)
	Battery Plate	V-mount/Anton Bauer mount/ F-970/QM91D/DU21/LP-E6
	Power Consumption	≤18W
ENVIRONMENT	Operating Temperature	-20°C~60°C
	Storage Temperature	-30°C~70°C
DIMENSION	Dimension(LWD)	246×224×31 / 167.5mm (with cover)
	Weight	1068g / 1388g (with cover)

1. Flexible folding sun shade cover	1 piece
2. Battery plate (F-970, QM91D, DU21 or LP-E6)	2 pieces
3. HDMI A/A cable	1 piece
4. DC 12V power adapter (XLR connector)	1 piece
5. TALLY connector	1 piece
6. Manual	1 copy
7. Gimbal bracket (optional)	1 piece
8. V-mount battery plate (optional)	1 piece
9. Anton Bauer mount battery plate (optional)	1 piece
10. Suitcase (optional)	1 piece





With Flexible Folding Sun Shade Cover & Gimbal Bracket (optional)



969A
with BNC interfaces
Video / 3G-SDI interface for optional.



969B
without BNC interfaces

Suitcase (optional)

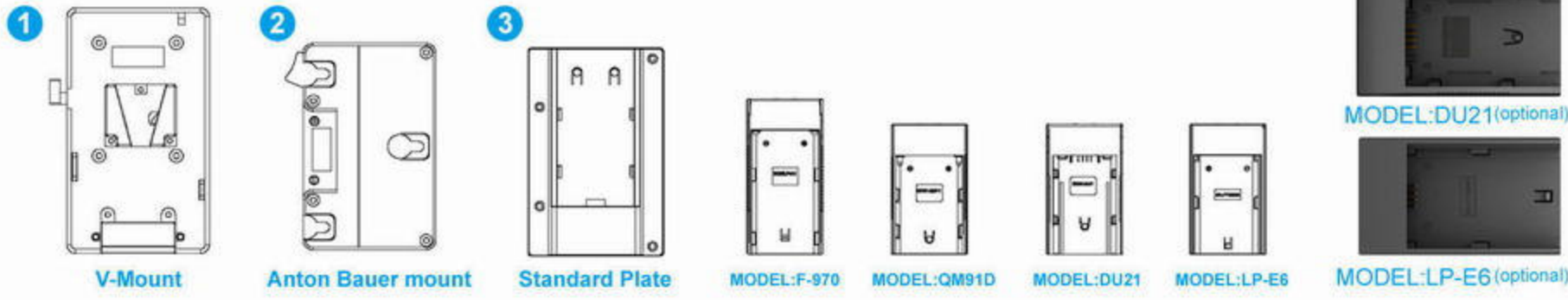
Exquisite suitcase
make it safe on the way



Protect
the device & accessories from damage, water & dust.
Best choice for taking photos & making movies in the open air.



DV Battery Mount Plate



Model F970 for battery of SONY DV: DCR-TRV series, DCR-TRV E series, VX2100E PD P series, GV-A700, GV-D800 FD/CCD-SC/TR3/FX1E/HVR-AIC, HDR-FX1000E, HVR-Z1C, HVR-V1C, FX7E F330



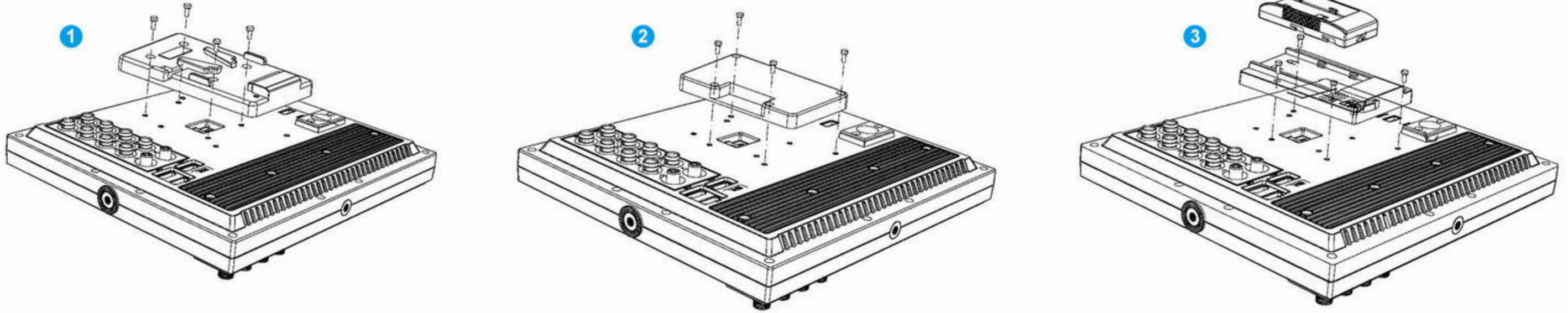
Model QM91D for battery of SONY DV: DSCR1/F/S/MVCCD/E/HC15E/HC1E/AE1u/DCRTRV828/E/CCD-TRV116/DCR-DVD/PS105K/300K/10P/1E series



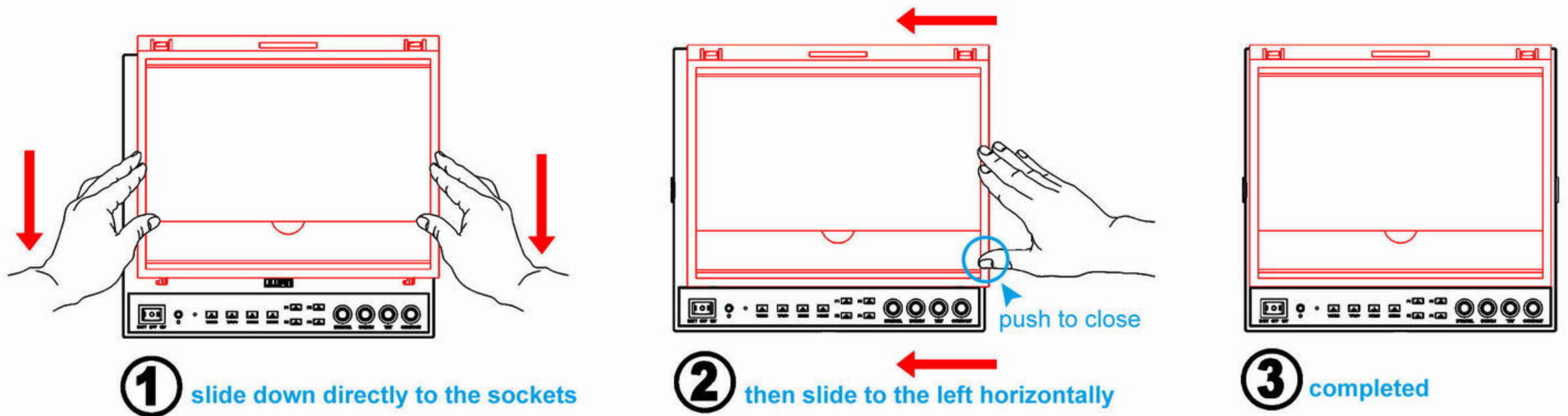
Model DU21 for battery of Panasonic DV: NV-GS/PV-GS/DZ-MV/GS/H28/H258/H288GK series, comply with Panasonic battery DU06/VBD140/SANYODZhs301sw/Hitachi DZ-HS303SW/BZ-BP14S/DZ3200/BP07W



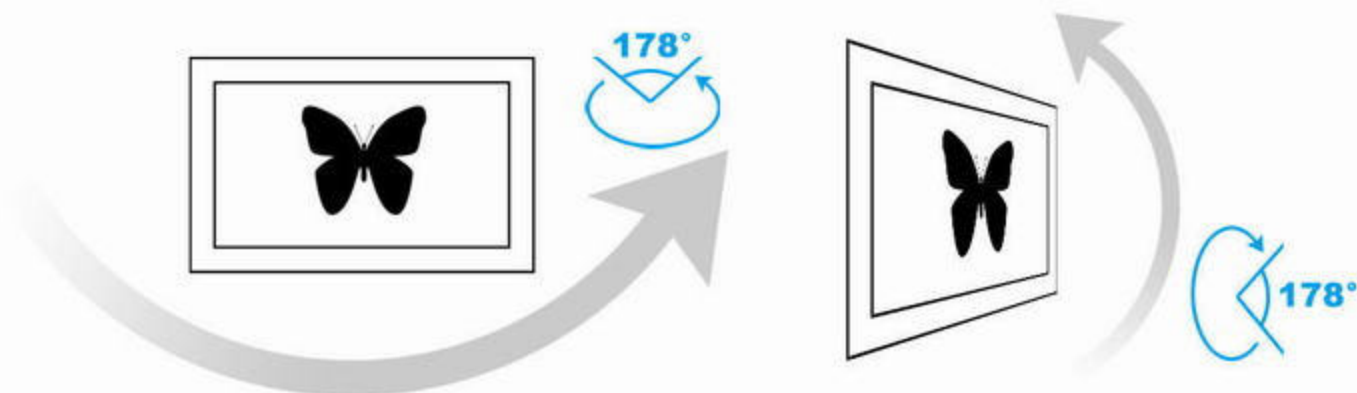
Model LP-E6 for battery of Canon DSLR: 5D Mark II/EOS7D/EOS60D



Cover Installation



Wide Viewing Angles (IPS Panel)

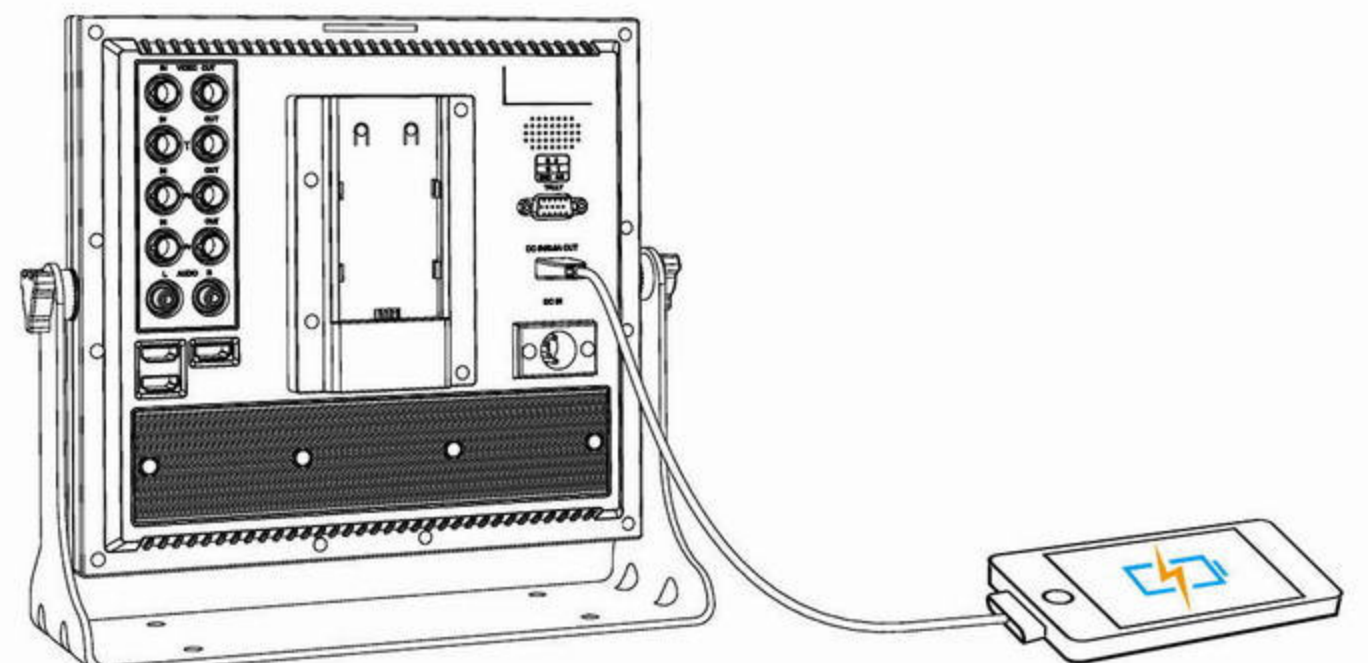


178° / 178° (H/V)

178° horizontal & 178° vertical wide viewing angles, it's available for people viewing from different angles with the same visual effect.

USB 5V Charging

Additional function of battery charging for iPhone/iPad/Android Phone/Pad via USB 2.0 interface.





Design for Broadcasts and Live Events

- Tally interface will be available when monitor becomes view finder of camcorder.
- Adjustable gimbal bracket and ear phone slot.
- slim and portable, easy for installation.
- DC powered, Anton Bauer and other battery plates can be fixed on the back.



Peaking



False color



Histogram



Exposure



Check field



Color bar

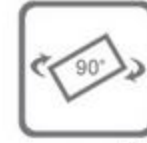
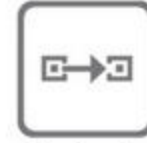


Image flip

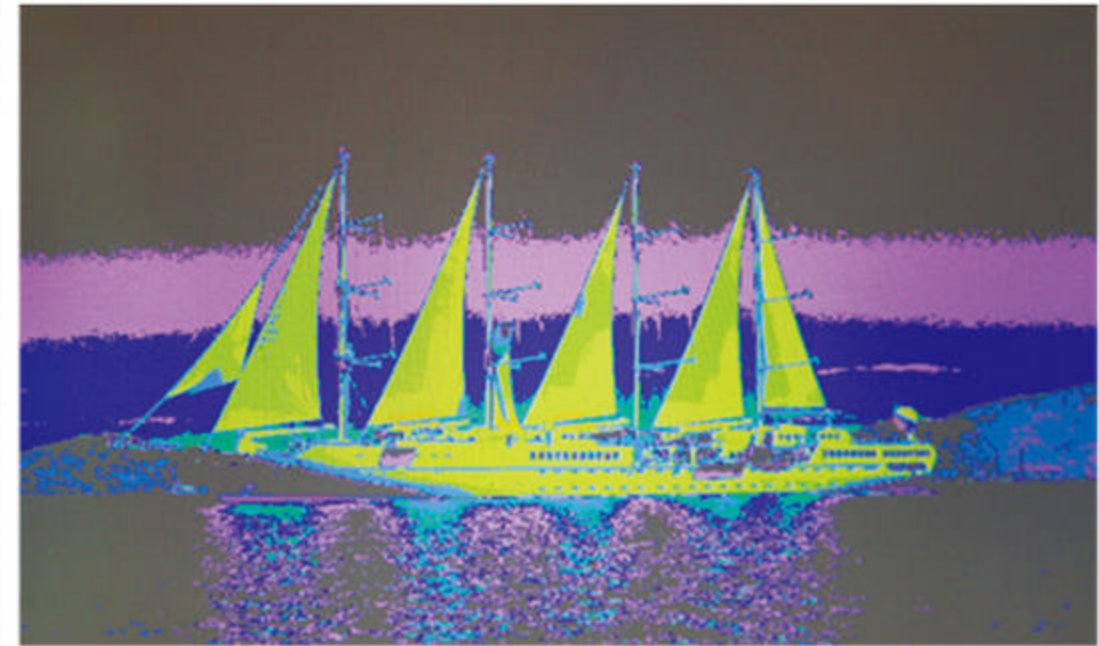


Pix to pix

ADVANCED FUNCTIONS



> Peaking



> False Color



> Exposure



> Histogram

F1-F4:
4 user-definable buttons

- | | | |
|------------------|----------------|-----------------|
| > Peaking Filter | > False Colors | > Exposure |
| > Histogram | > Camera Mode | > Center Marker |
| > Pixel-to-Pixel | > Color Bar | > Screen Marker |
| > Aspect Ratio | > Check Field | > Underscan |
| > Freeze Input | > H/V Delay | > 8x Zoom |
| > PIP | | |

www.lilliput.com



ZHANGZHOU LILLIPUT ELECTRONIC TECHNOLOGY CO., LTD.

Add : Zong Si Road, Lan Tian Economic Development Zone, Zhang Zhou, Fu Jian, 363005, China

Tel: +86-596-2109661/2109323

Fax: +86-596-2109611 Email: sales@lilliput.com