

10.1" HDMI MONITOR WITH CAPACITIVE TOUCH FUNCTION

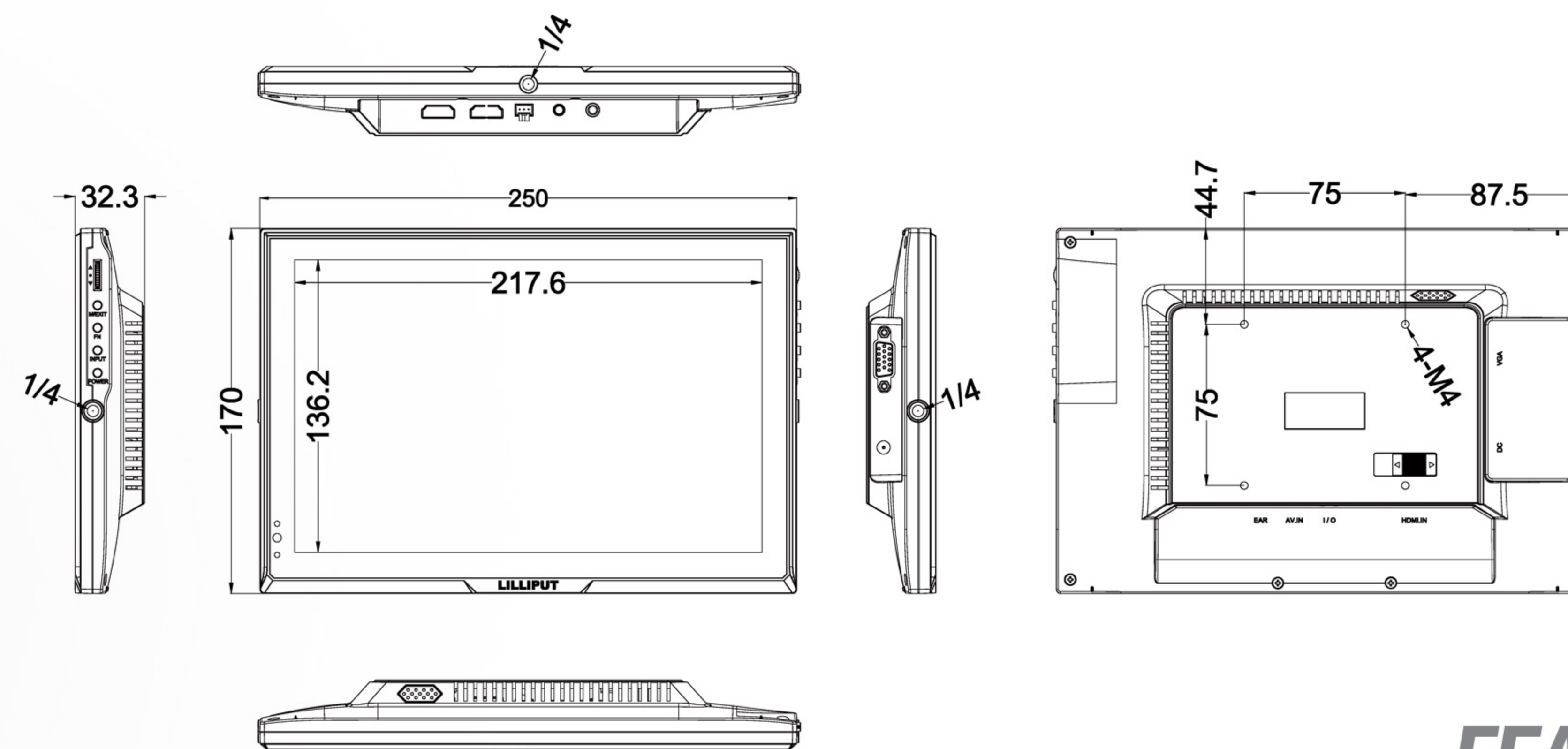
FA1014-NP/C/T

FA1014-NP/C
(without touch function)

APPEARANCE



OUTLINE DIMENSION



FEATURES



- › Multi-touch capacitive screen (OS: Windows 7 or above)
- › Lux auto brightness
- › Integrated dustproof front panel
- › I/O control interface
- › HDMI, DVI, VGA & AV inputs
- › High brightness: 350cd/m²
- › High contrast: 800:1



I/O CONTROL INTERFACE

The interface has functions such as connecting with reverse trigger line in car reversing system, and control computer host to switch on/off, etc. Functions also can be customized to meet different demands.



LUX AUTO BRIGHTNESS (optional)

A light sensor designed to detect ambient lighting conditions adjusts the panel's brightness automatically, which makes viewing more conveniently & saves more power.

SPECIFICATIONS / ACCESSORIES

DISPLAY	Panel	10.1" LED backlit	<ol style="list-style-type: none"> I/O control line 1piece VGA cable 1piece HDMI A/A cable 1piece AV input cable 1piece Remote control 1piece 12V DC adapter 1piece Gimbal bracket (optional) 1piece 75mm VESA folding bracket (optional) 1piece HDMI to DVI cable (optional) 1piece VESA battery bracket & battery plate (optional) 1piece VESA rail slot (optional) 1piece Car power (optional) 1piece
	Touch Panel	Capacitive touch (optional)	
	Physical Resolution	1280 × 800	
	Aspect Ratio	16:9	
	Brightness	350cd/m ²	
	Contrast	800:1	
	Viewing Angle	170° /170° (HM)	
INPUT	HDMI	1	
	VGA	1	
	DVI	1 (optional)	
	Composite	1	
AUDIO	I/O port	1	
	Speaker	1	
POWER	Current	800mA	
	Input Voltage	DC 7~24V	
	Battery	External (optional)	
ENVIRONMENT	Power Consumption	≤ 10W	
	Operating Temperature	0°C~50°C	
OUTLINE DIMENSION	Storage Temperature	-20°C~60°C	
	Dimension(LWD)	250 × 170 × 32.3mm	
	Weight	560g	



Note: Due to constant effort to improve products and product features, specifications may change without notice.

