

ALL-IN-ONE INDUSTRIAL COMPUTER PC-1041 10.4"

LED Panel PC for Industrial Application
All hardware and software customized to your requirements.

Windows 10

Linux

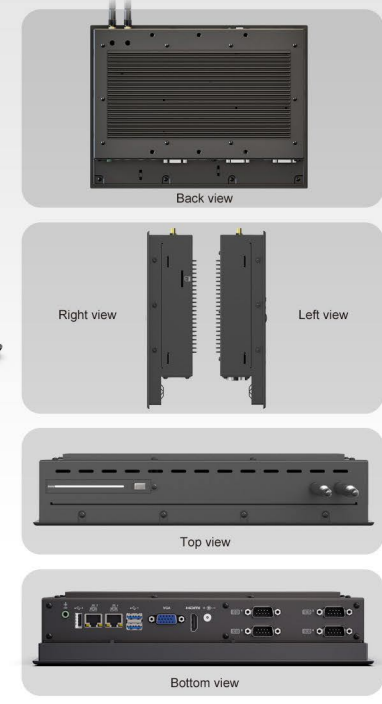
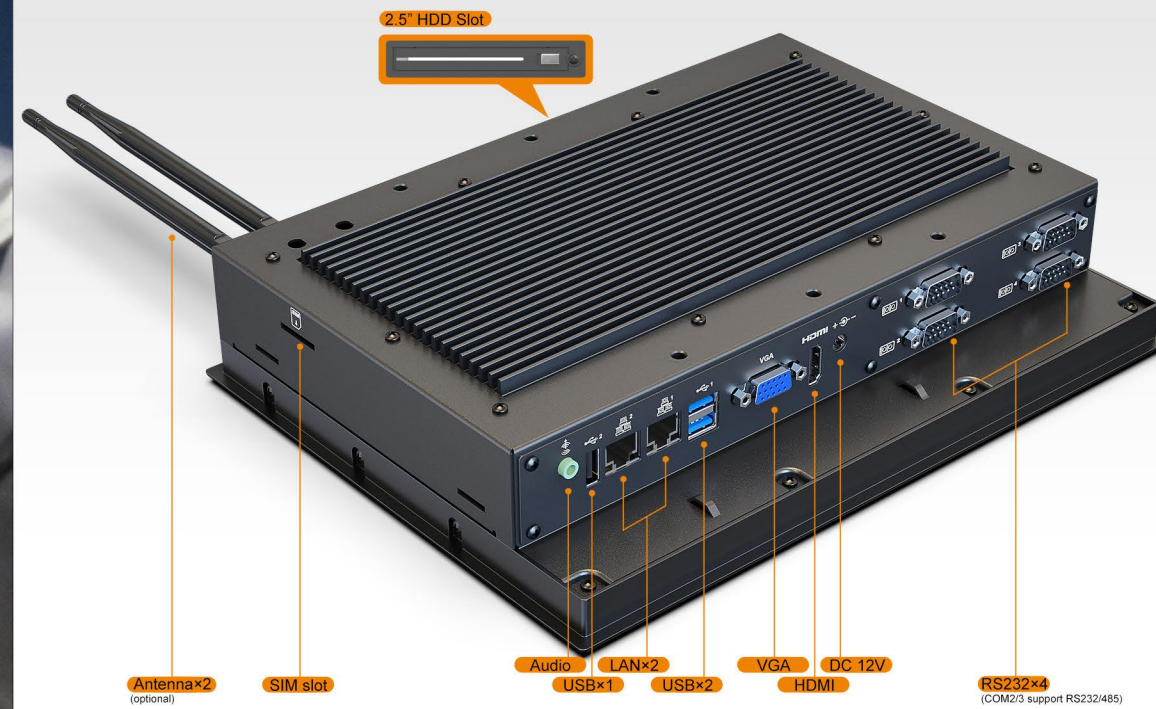


LILLIPUT®

WWW.LILLIPUT.COM

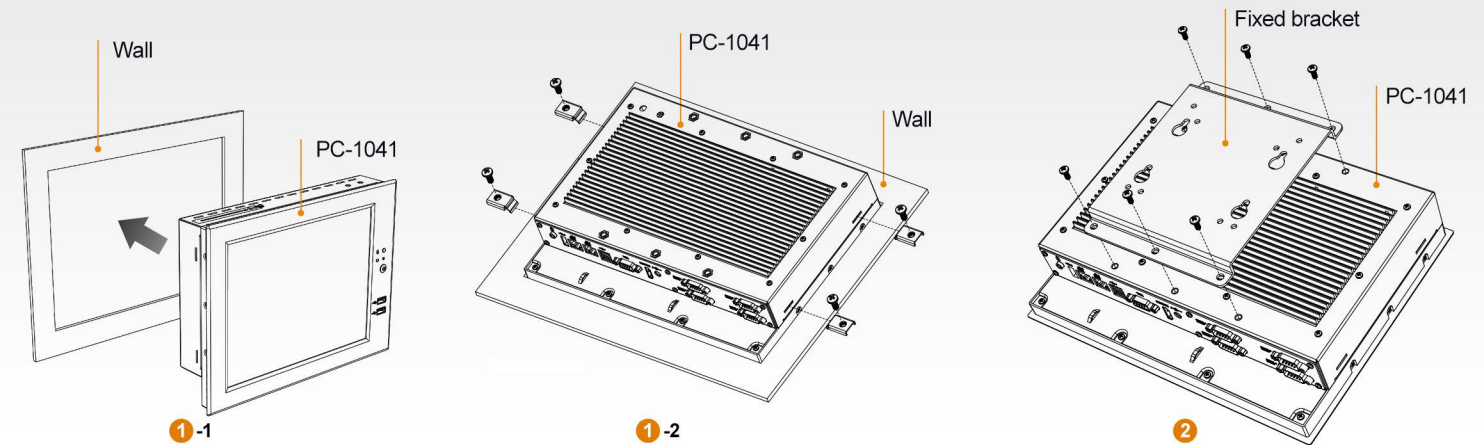
- Powerful 2.0GHz quad-core CPU, 4G DDR3 RAM
- 10.4" LED display with resistive touch
- RS232 × 4, COM 2/3 supports RS485/232
- 4G/WIFI/Bluetooth/GPS for optional

- Fanless cooling system
- HDMI & VGA output
- 1000M Ethernet port
- Multiple mount methods



MULTIPLE MOUNT METHODS

- Mount from the front of wall, fixed with lock sheet and screws. It's more convenient for customers to control & maintain the device behind the wall.
- Screwed with Fixed bracket, It's much more easily to be hung on the wall, also available for 75mm / 100mm VESA standard mount.



SPECIFICATIONS & ACCESSORIES

DISPLAY	Display Screen	10.4" LED backlit
	Resolution	800×600 (1,440,000) pixels
	Touch Panel	4-wire resistive
	Brightness	250cd/m ²
	Aspect Ratio	4:3
	Contrast Ratio	500:1
SYSTEM	Viewing Angle	140°/110° (H/V)
	OS (optional)	Windows 10 / Linux
	CPU	Intel® J1900 (quad-core 2.0GHz)
	Memory	4G DDR3, optional: 8GB
	Storage	PCIe mSATA SSD 120G, supports up to 1TB 2.5 inch SATA HDD (optional)
MAINBOARD	Chipset	Intel® BayTrail chipset
	L2 Cache	1024KB×2
	Sound Card	6 channels
	Expansion	Built-in Mini PCIe×1, optional for 4G / WIFI
	Interface	RS232 × 4 (COM2/3 support RS232/485), HDMI out, VGA out, Audio out, DC 12V in, USB2.0×3, USB3.0×2, LAN×2, SIM slot, Antenna slot × 2
POWER	Input Voltage	DC 12V
	Current	1.3A
	Power Consumption	≤16W
ENVIRONMENT	Working Temperature	0~50°C
	Storage Temperature	-10~65°C
DIMENSION	Dimension (LWD)	280 × 210 × 58.8 mm
	Weight	2190g

- | | |
|---------------------------------|---------|
| 1. DC adapter | 1 piece |
| 2. Fixed bracket | 1 piece |
| 3. Manual | 1 copy |
| 4. 2.5 inch SATA HDD (optional) | 1 piece |



Note: due to constant effort to improve products and product features, specifications may change without notice.

ZHANGZHOU LILLIPUT ELECTRONIC TECHNOLOGY CO., LTD.



Add: No.26 Fuqi North Road, Longwen Zone,
Zhangzhou, Fujian, 363005, China
Tel: +86-596-2109661/2109323
Facebook: @lilliputmonitor Email: sales@lilliput.com