

10.4”
Panel Computer
User Manual

To users of this product

Thank you for purchasing our panel PC. This product adopts high-performance embedded computer hardware components and a combination of the X86 architecture. It is designed for operations under relatively severe environments of Multimedia advertising / industrial automation equipment / instrumentation / security / intelligence products and other fields and featuring such as anti-vibration, anti-jamming, wide power supply input, etc. The delicately optimized design meets the requirements of all users in its applications to various conditions and occasions. This product is small in shape, easily installed. Moreover, the mini Panel PC is easily adaptable to a professional electronic equipment of industry personal controlling as well as its ease of extensive use such as multimedia ad/instruments/military affairs/intelligent product field. With its excellent quality and exquisite manufacturing technology, your product will bring limitless entertainment and enjoyment to you.

In order to ensure the correct installation and the most efficient service, please read this user manual carefully.

Notice: Electric Safety

- In order to prevent electric shock and possible severe damage to the unit, please temporarily remove the PC power adapter from the power socket before moving the Car PC.
- In order to prevent voltage fluctuations from damaging your purchase and the possibly to the vehicle's battery, please switch the computer's power switch to the "off" position or use wide voltage box while starting the vehicle.
- Once the computer's power has been put into the "on" position do not switch the computer's power to the "off" position until the computer is fully booted. When shutting down the computer follow the guidelines in this user guide.
- Please make sure that the power voltage setting has been adjusted to the standard voltage value of the location where the product is being used.
- No owner/user-serviceable components exist in this unit. Allow only qualified technical service personnel to service or open this unit. Contact our factory service department. Unauthorized tampering may void the product warranty.

Operational Security

- Before using this product, please first make sure that all external wires and power adapters have been correctly connected. If you suspect any defects, please contact your sales agent or factory personnel immediately.
- To prevent electric short-circuiting, it is forbidden to leave any metal stuffs in the PC mainframe.
- Dust, humidity and dramatic temperature changes will affect the usage life of this computer. Please keep the machine away from these hazards.
- Although an anti-vibration mechanism is adopted inside the computer, please avoid traumatic movement, jolting or dropping of the unit.
- Please do not use chemical detergents to clean the device. Remove dust with a soft cloth to ensure brightness. If any technical problems occur while using this unit, please refer to our sales agents or related technicians. We will correct any problem as rapidly as possible. Please refer to your warranty.

Content

I . PRODUCT DESCRIPTION	3
1. APPLICATION.....	3
2. FEATURE.....	3
3. FUNCTION DESCRIPTION	4
4. SPECIFICATION	4
II . SKETCH MAP OF MAINFRAME PANEL	4
1. SKETCH MAP OF MAINFRAME FRONT PANEL	5
2. SKETCH MAP OF MAINFRAME INTERFACE	6
III.CONNECTION EXPLANATION	7
IV. PRODUCT INSTALLATION INSTRUCTION	7
V. ACCESSORIES	8
VI.TROUBLE SHOOTING	9

I . Product description

1. Application

1.1 Computer: It is embedded human-machine interface of high capability with INTEL core. 10.4 inch 800×600 resolution TFT LCD with 4-wire resistive touch screen. It is compact and firm, good anti-vibration and electromagnetism shielded capability, and is optimal choice with using telecom, electric power, multimedia, security & defense, industry robotize control equipment and manufacturing field. It uses for human-machine interface, client terminal, PLC and POS communication and control terminal. Moreover, it used advanced structure design, convenient system installation. Multiple mount methods such as panel type, hanging, embedded mount and VESA standard, etc.

1.2 Extension functions: USB, LAN, VGA out, SIM slot, HDMI out, DC, COM interfaces, through which user can accessorize this machine with multiple video outputs, main board encryption, support PXE and WOL, various extend functions, etc.

1.3 OS for optional: Windows 10 or Linux, user can install the relative OS.

2. Feature

Stable performance——Industrial design, reliable quality.

Elegant and firm——Heat-reduced sheet with thick armor plate. The whole device is elegant and firm.

High configuration——CPU can supply as request. Compare the unit's smaller dimension and upper performance features.

Low power consumption——Energy savings and efficient heat emissions make the unit compatible with the vehicle.

Professional design——The device is specifically designed with industry environment. Designed using optimal mechanical and electrical specifications, product features focusing on anti-vibration, power separation and heat emissions satisfy the most demanding user. The pc will function superbly in severe operating conditions including, but not limited to, temperature extremes, electromagnetic disturbances caused by inferior road conditions.

3. Function description

Applications Functions	Industrial Control	Multi-media ads
Choose touch screen integrative unit	<ul style="list-style-type: none"> ● Wi-Fi WLAN (extension) ● Wired network control ● Software control equipment ● Touch screen control ● Special software installation 	<ul style="list-style-type: none"> ● Wi-Fi WLAN (extension) ● Wired network control ● Special multi-media software control ● One to more screens display output control

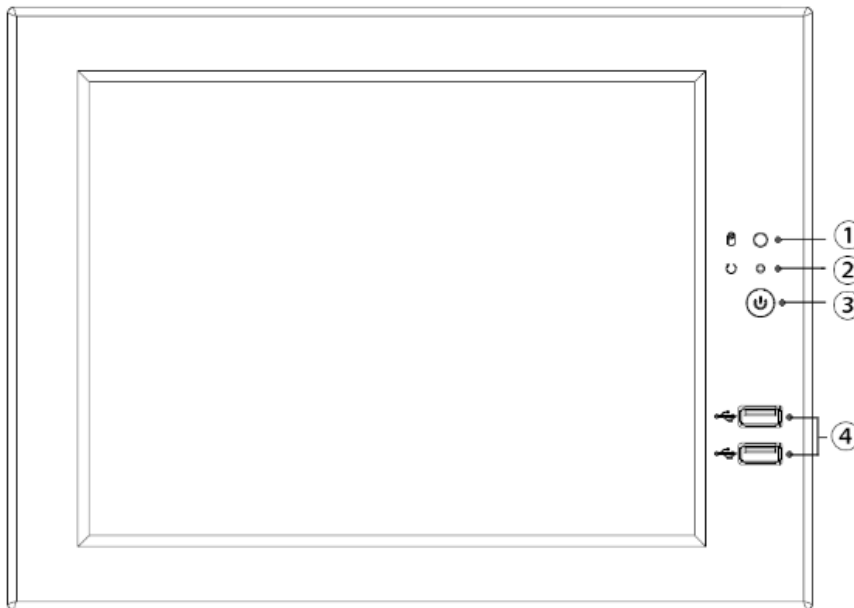
4. Specification

Item	Description
Display screen	10.4 inch TFT LCD 1,440,000 pixels 800×600
Contrast	500:1
Brightness	250cd/m ²
View angle	140 °/120 °(H/V)
Touch screen	4-wire resistive
CPU	Intel J1900 (2.0 GHz) Quad-core
Memory	Standard configure: 4GB, optional: 8GB
Storage (Optional)	PCIe mSATA SSD 120G, support up to 1TB SATA 2.5inch Hard Disk
Video card	Integrated on board Intel GMA3650 (128/224MB of share memory)
Video output	VGA, HDMI
Panel interface	3 × USB 2.0, 2 × USB 3.0 2 × LAN 1 × VGA output 1 × HDMI output 1 × DC 12V 4 × RS232(COM2/3 Support RS232/RS485) 1 × LINE output
OS	Windows 10 or Linux
Working temperature	0 °C -50 °C
Storage temperature	-10 °C -65 °C
Power supply	DC 12V
Current	1.0 A-2.0 A
Power consumption	≤ 16W
Dimension	280mm × 210mm × 58.8mm
Weight	2190g

II. Sketch map of mainframe panel



1. Sketch map of mainframe front panel



1. Hard Disk indicator light (Green light).
2. Restart Button
3. Power switch + Power indicator.
4. USB × 2: Connect with external USB equipment.

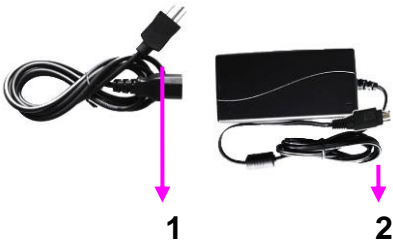
2. Sketch map of mainframe interface



In order from top to bottom, left to right:

1. 2.5inch hard disk interface.
2. 5.8G antenna port × 4 (optional).
3. SIM slot, external SIM card.
4. Audio output.
5. USB ×1: Connect with external USB2.0 equipment.
6. RJ-45 Ethernet interface, connected with 1000M network cable.
7. USB ×2: Connect with external USB3.0 equipment.
8. VGA output.
9. HDMI output.
10. Power input.
11. COM1~ COM4 serial port, for external serial port equipment.
(COM 2/3 can be switched to RS485/ RS232)

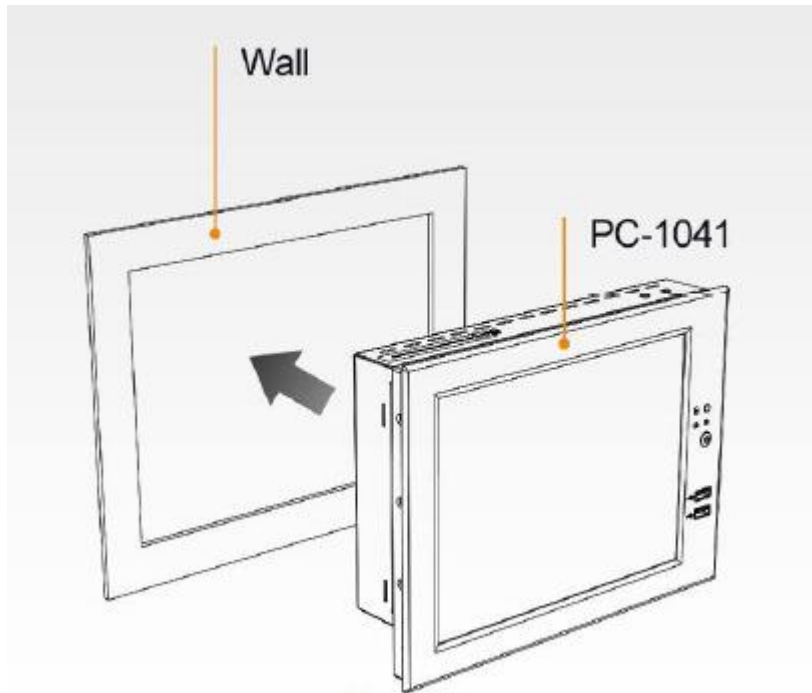
III. Connection explanation



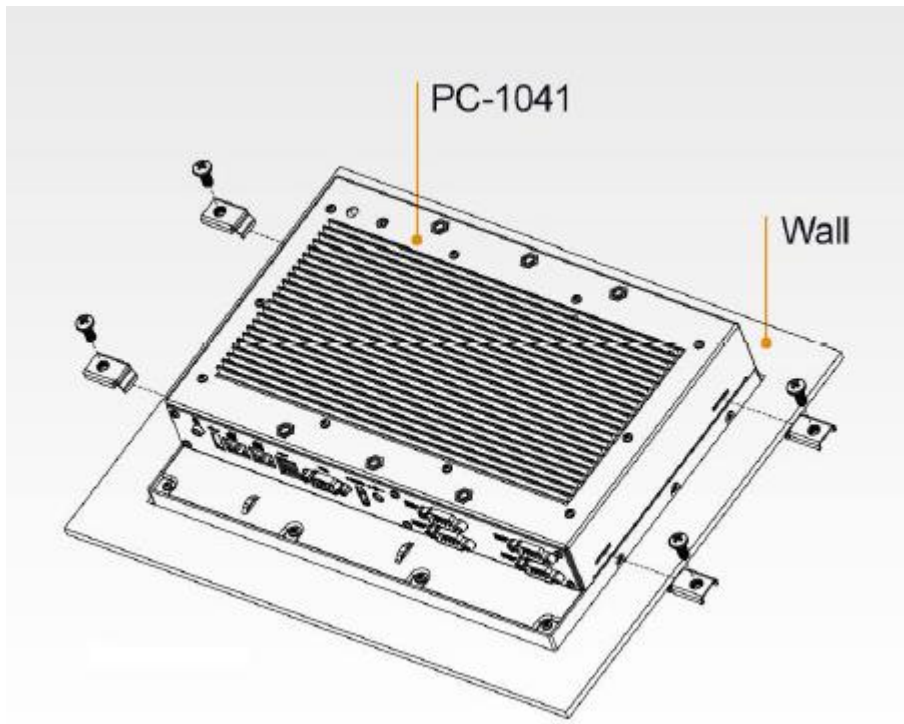
1. Connect to power supply.
2. Connect with power input port on the back of device, in order to provide power for device.

IV. Product installation instruction

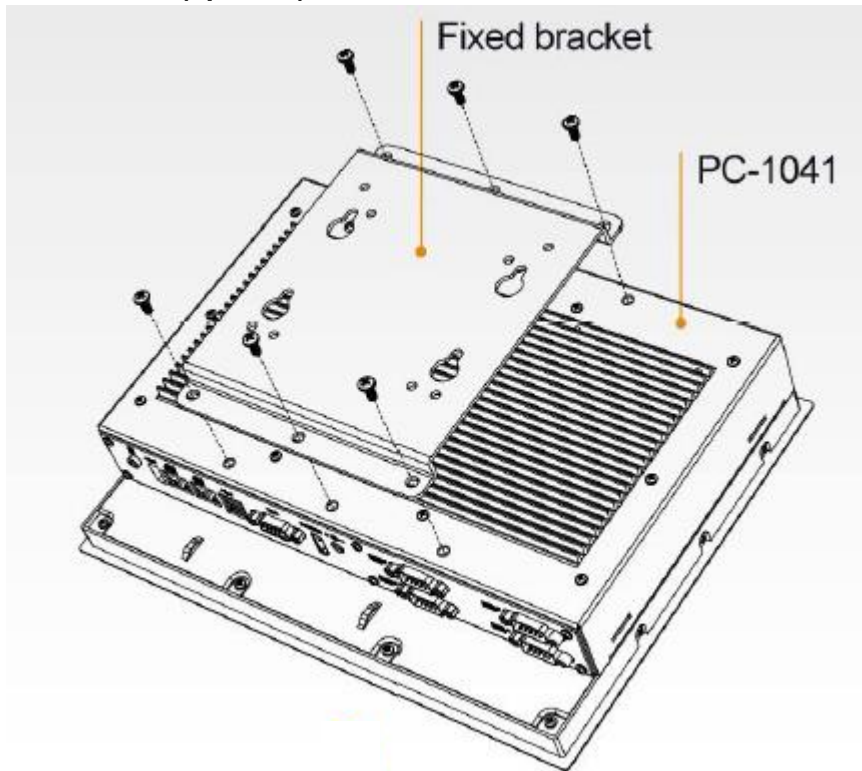
STANDARD MOUNT



OPEN FRAME MOUNT (optional)



FIXED BRACKET MOUNT (optional)



Fixed screw (PM5×6mm)

V. Accessories



Description	Amount
Power supply adapter	1 pair
Fixed bracket	1 pair
Manual	1 copy
Extend 2.5" Hard disk (HDD) (optional)	1 piece

VI. Trouble shooting

1. The power indicator doesn't light after you press the power button.
 - Please check and make sure the power connection is correct and the power supply proper.

2. No sound
 - Please check and make sure the audio lint is connected properly.
 - Please check is the system is in MUTE mode or the volume is down to the minimum level.
 - Check whether the driver of audio card is installed correctly.

3. No display
 - Check whether the display work properly.
 - Check and make sure the connection is correctly.

4. USB device can't be identified.
 - Re-insert the USB device, so that the system will recognize it again.
 - Insert to another USB ports..
 - Check whether the driver program is installed properly or not.

5. How to start the USB2.0 function?

-Because of ICH4 this unit can read four USB2.0 port.

We suggest that install WINXP SP2 so that it needn't a driver for USB2.0 and could read the USB2.0, then work normally as transmission rate of 480Mbit.

Note: due to constant effort to improve products and product features, specifications may change without notice.