



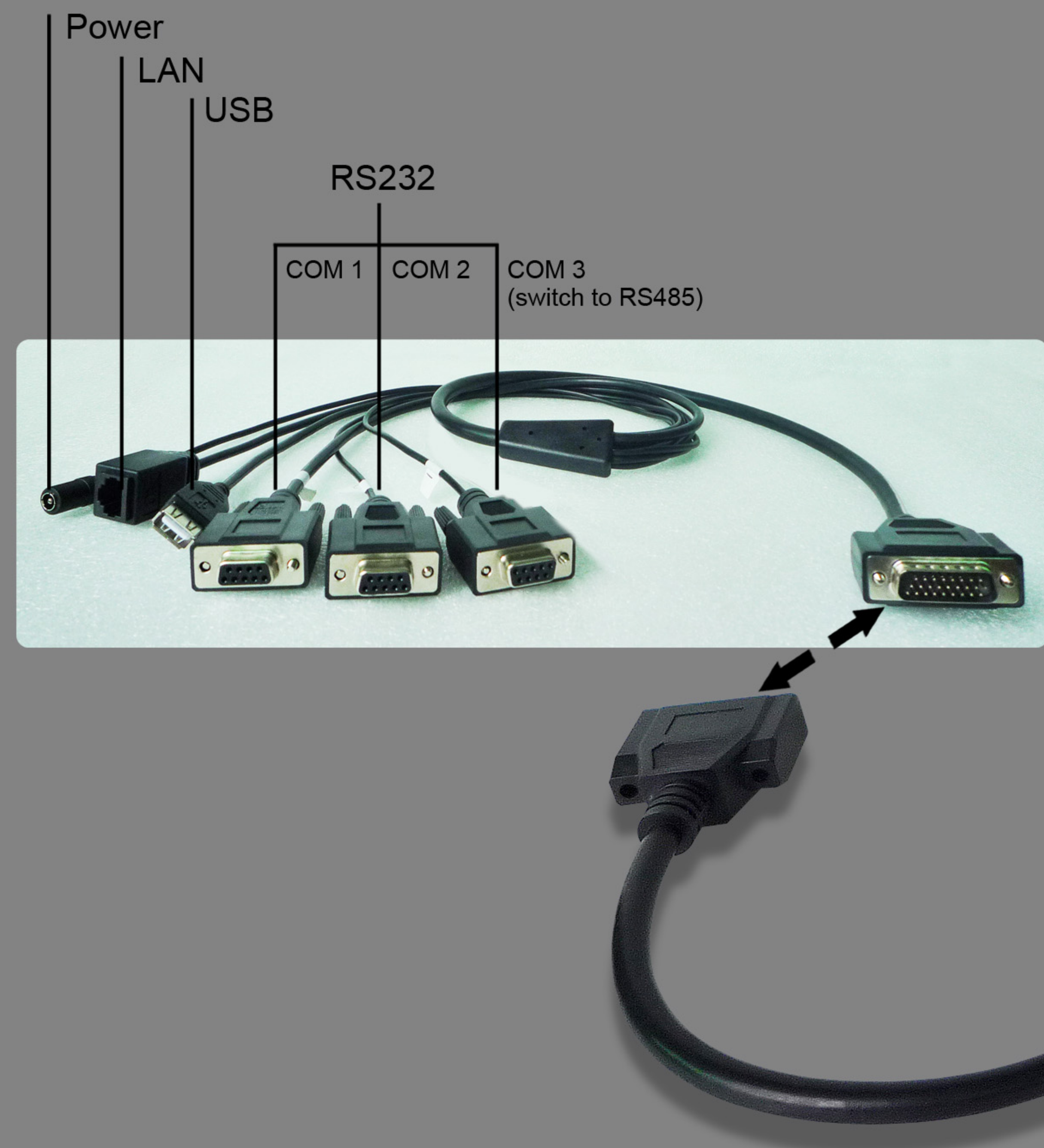
Embedded All In One PC with OS
WinCE 6.0/Linux 2.6.32

LCD Panel PC for Industrial Application

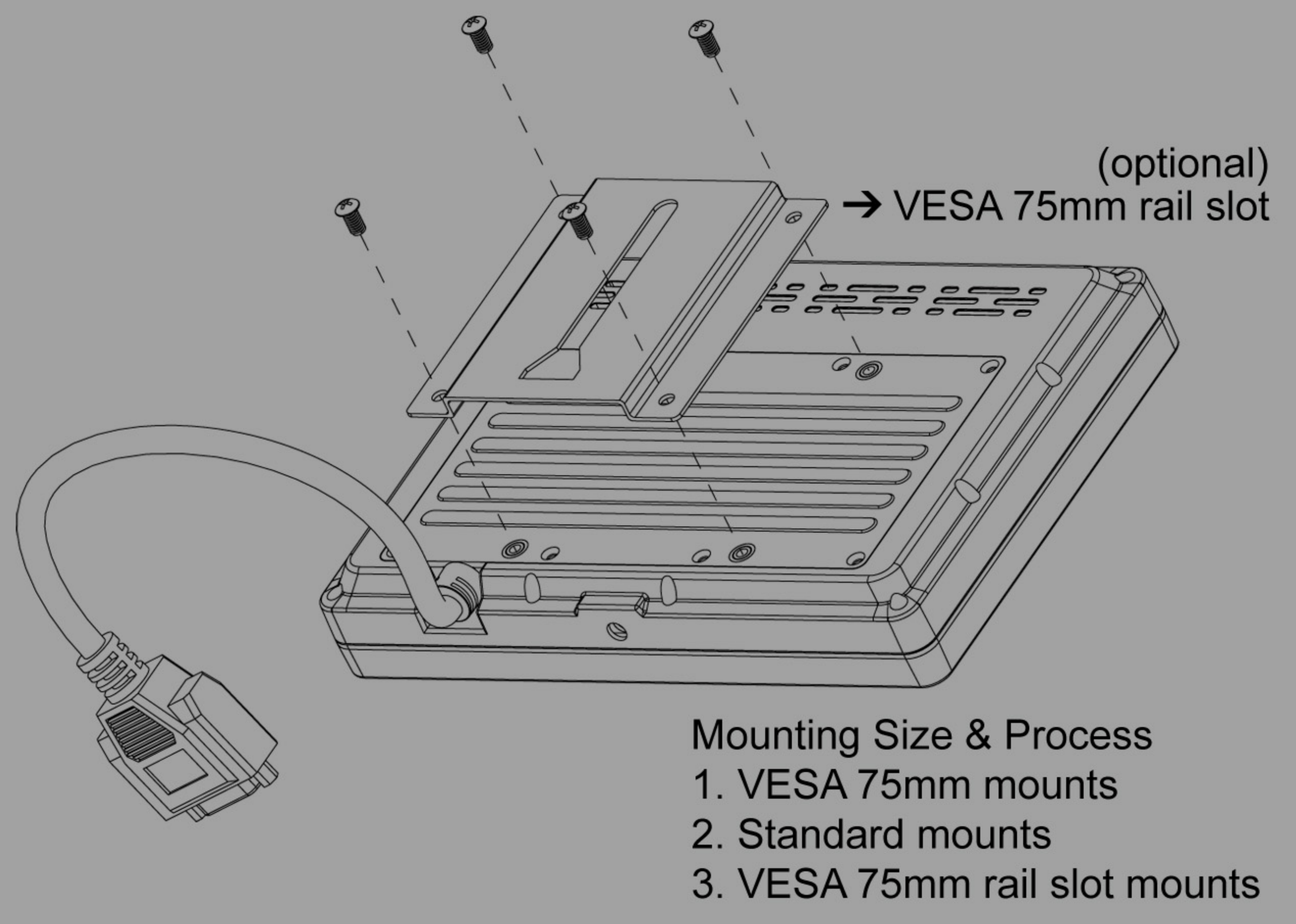
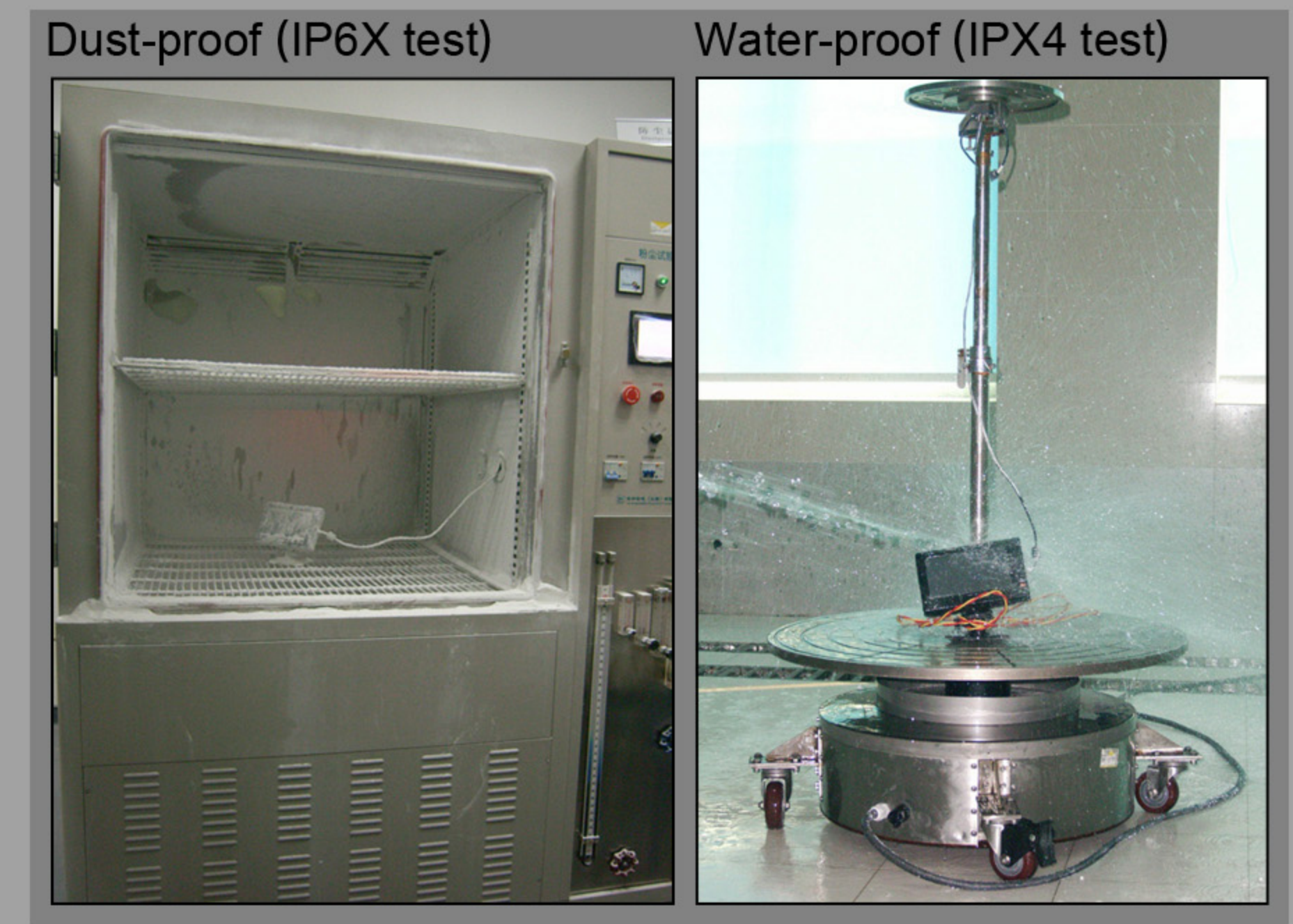
All hardware and software customized to your requirements.



Extended Cable Specification



IP64 Test



- 7" wide TFT LCD (16:9)
- High Brightness: 450cd/m²
- 800 x 480 resolutions
- 4-wire resistive touch panel
- CPU: TI OMAP3525, 600MHz processor
- CORE: ARM Cortex-A8
- Memory: 256MB Flash ROM + 128MB LPDR
- OS: Windows CE 6.0 R3 / Linux 2.6.32
- EVC & .Net Framework 3.5
- Support MPEG 1, 2, 4
- LAN: Ethernet 10/100M (RJ45)
- USB Host 2.0x2, USB Device 2.0 x 1
- RS232x3 / RS232x2, RS485x1
- Micro SD (TF) card supports up to 8G
- Keyboard or Mouse supports
- GPS (external)
- Ear phone slot x1
- Speaker (back)x1
- Power input: DC 9-24V
- Power consumption: 8W
- Size(LWD): 198x146 x35 mm
- Weight: 740g

- Optional:
3G/802.11 b/g Wi-Fi (built-in)
RS485
Bluetooth (built-in)
- Accessories**
Extended Cable
DC adapter
CD drive
Manual
VESA 75mm rail slot (optional)