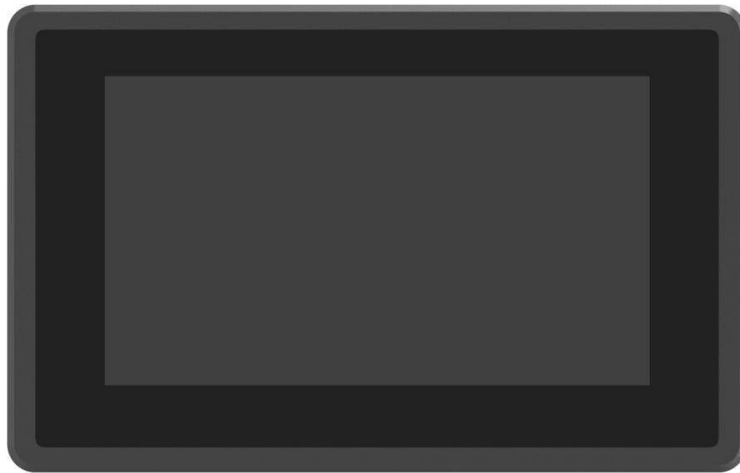


USER MANUAL

7 " HDMI Monitor



Important Safety Instructions

The device has been tested for conformance to safety regulations and requirements, and has been certified for international use. However, like all electronic equipment, the device should be used with care. Please read and follow the safety instructions to protect yourself from possible injury and to minimize the risk of damage to the unit.

- Please do not place the display screen towards the ground to avoid scratching the LCD surface.
- Please avoid heavy impact.
- Please do not use chemical solutions to clean this product. Just wipe with a clean soft cloth.
- Please do not block any vent hole.
- Please unplug the power if it is not used for a long time or during thunderstorms.
- Please follow the instructions to use the product. Once any issue, further testing must be performed by a qualified technician.

Content

Chapter 1 Product Introduction	4
1.1 Highlights	4
1.2 Parts of the Device	4
1.3 Wall Mounting Demo	6
1.4 Specifications	7
Chapter 2 Menu Setting	8
2.1 MENU/▷ /◁ Button	8
2.2 Menu Operation	9
2.2.1 PICTURE	9
2.2.2 FUNCTION	10
2.2.3 AUDIO	12
2.2.4 VGA	12
2.2.5 SYSTEM	14
Chapter 4 Accessories	15
Chapter 5 Troubleshooting	16

Chapter 1 Product Introduction

1.1 Highlights

- 10-point capacitive touchscreen (for optional).
- 1000cd/m² high brightness.
- Support multiple video input interfaces: HDMI, VGA, AV.
- Support HDMI 4K 30Hz signal input.
- Support audio input.
- Support Windows XP/7/8/10/11, Android, Linux and MAC OS.
- Support Wall mounting.

1.2 Parts of the Device



1) MENU Button

Press it to display the menu on the screen when power on. Press it to confirm the

option selected.

2) ▷ Button

Press it to turn up the volume when power on and no menu; Select options in the menu.

3) ◀ Button

Press it to turn down the volume when power on and no menu; Select options in the menu.

4) EXIT Button: Return button for the menu.

5) INPUT Button: Switch among of AV 1, AV2, VGA and HDMI signals.

6) POWER Button: Power on/off.

7) Mini USB port: For touch.

8) Micro USB port: For upgrade.

9) HDMI 1.4b input.

10) VGA input.

11) Video input.

12) Video input.

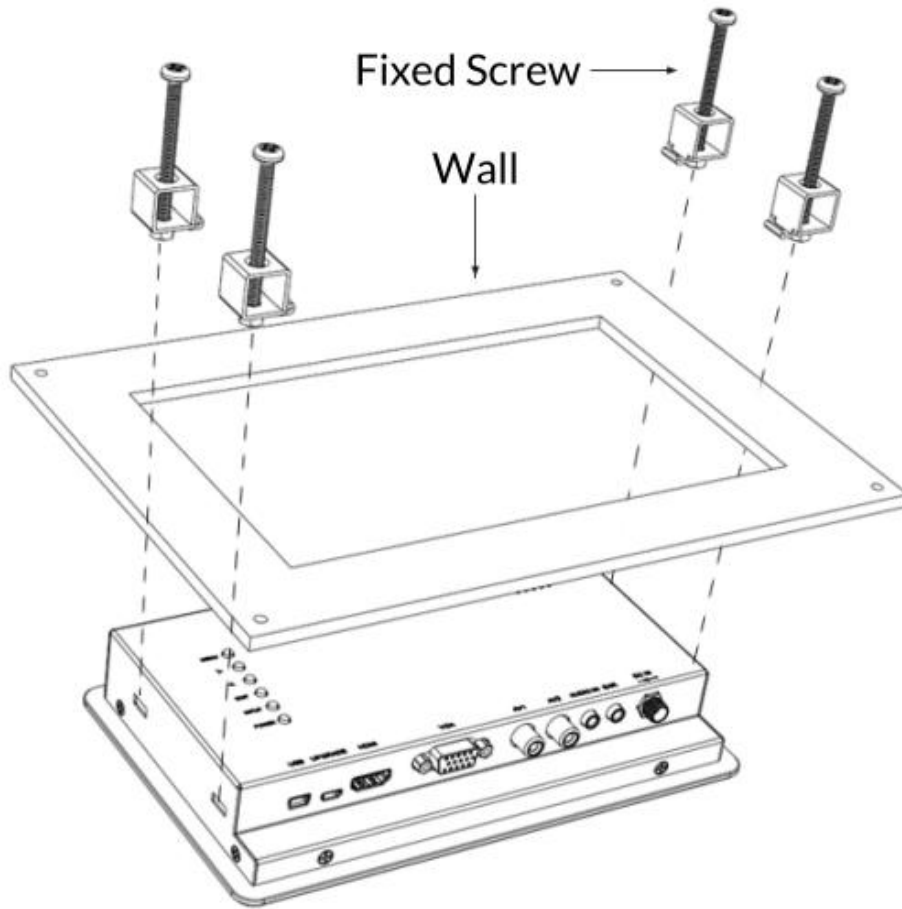
13) AUDIO-INPUT (3.5mm): Audio input under VGA, AV1 and AV2 signal.

14) Earphone jack (3.5mm).

15) Power input: support DC 12-24V.

16) Speaker.

1.3 Wall Mounting Demo



1.4 Specifications

Display	
Screen Size	7 inch
Physical Resolution	800x480
Aspect Ratio	16:10
Brightness	1000cd/m ²
Contrast	500:1
Viewing Angle	140°/ 120° (H/V)
Touchscreen	10-point Capacitive Touch (for optional)
Interfaces	
HDMI Input	x1, up to 4K 30Hz
VGA Input	x1
Video Input	x2
Mini USB	For touch (for optional)
Micro USB	For upgrade
Audio	
Audio Input	x1
Earphone Jack	x1
Speaker	x1
Power	
Input Voltage	12-24V
Power Consumption	≤8.5W
Others	
Dust-proof	IP6X rating (for front panel)
Water-proof	IPX4 rating (for front panel)
Operating Temperature	-20°C ~60°C (-4°F~140°F)
Storage Temperature	-30°C ~70°C (-22°F~158°F)
Dimension (LWD)	210*131*34.2mm
Weight	710g

Chapter 2 Menu Setting

Before setting the functions, please make sure the device is connected correctly.

2.1 MENU/ ▷ / ◁ Button

- Press MENU button, the menu will pop up on the screen. Then select item as the following sequences via pressing ▷/◁ button: PICTURE / FUNCTION / AUDIO / VGA / SYSTEM. Press MENU button again to enter into the item you select.
- Press ▷/◁ button to adjust options or values in the selected item. Then press MENU or EXIT button to apply and save the setting.
- When Menu is inactivated, press ▷/◁ button to adjust volume. Then select item as the following sequences via pressing MENU button: Brightness / Contrast / Saturation / Tint / Sharpness. Press ▷/◁ button again to adjust the value in the selected item.

2.2 Menu Operation

2.2.1 PICTURE



ITEMS	OPTIONS		
Brightness	0-100		
Contrast	0-100		
Saturation	0-100		
Tint	0-100		
Sharpness	0-100		
Color Temperature	6500K / 7500K / 9300K / User		
	Red Gain	0-255	Note: R/G/B gain and offset only can be adjusted under [User] mode.
	Green Gain	0-255	
	Blue Gain	0-255	
	Red Offset	0-511	
	Green Offset	0-511	
	Blue Offset	0-511	

- **Brightness**

Adjust the brightness of the LCD Screen, adjustable range: 0-100.

- **Contrast**

Adjust the contrast of image, adjustable range: 0-100.

- **Saturation**

Adjust the color intensity, adjustable range: 0-100.

- **Tint**

Adjust the hue of the image, adjustable range: 0-100.

- **Sharpness**

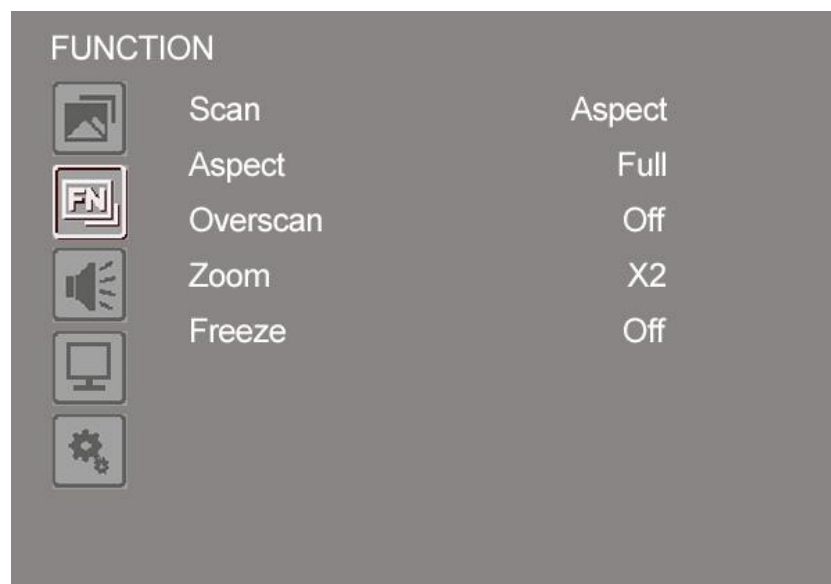
Adjust the sharpness of image, adjustable range: 0-100.

- **Color Temperature**

Options: 6500K / 7500K / 9300K / User.

Note: R/G/B gain and offset only can be adjusted under [User] mode.

2.2.2 FUNCTION



ITEMS	OPTIONS
Scan	Aspect / Zoom
Aspect	Full / 16:9 / 1.85:1 / 2.35:1 / 4:3 / 3:2
Overscan	Off / On
Zoom	×1.5 / ×2 / ×3 / ×4
Freeze	Off / On

- **Scan**

Options: Aspect / Zoom.

- **Aspect**

Options: Full / 16:9 / 1.85:1 / 2.35:1 / 4:3 / 3:2.

Note: Only available under [Scan]-[Aspect] mode.

- **Overscan**

To activate or deactivate overscan function.

- **Zoom**

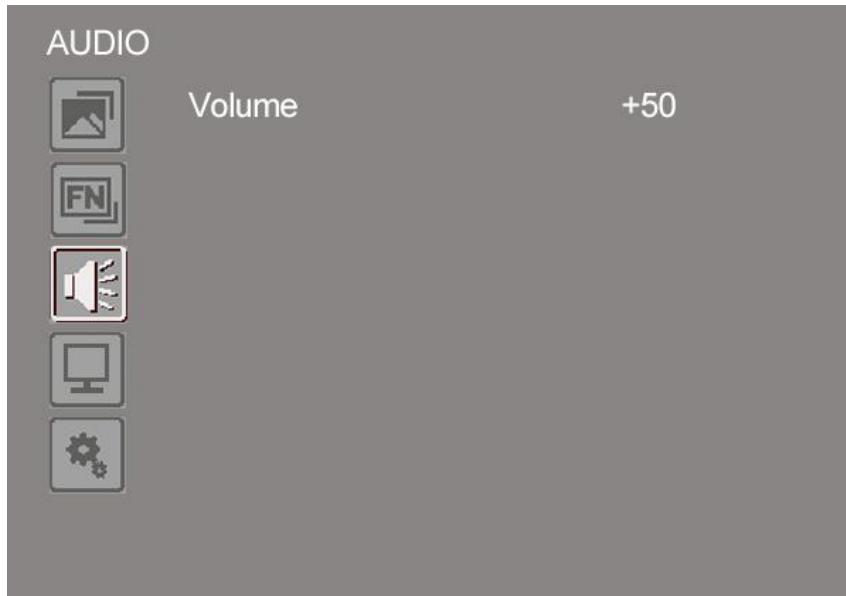
Options: ×1.5 / ×2 / ×3 / ×4

Only available under [Scan]-[Zoom] mode. Users can select zoom ratio according to different needs.

- **Freeze**

Activate freeze function to freeze current picture when playing the video.

2.2.3 AUDIO



ITEMS	OPTIONS
Volume	0-100

- **Volume**

Adjust the volume of built-in speaker or earphone. Adjustable range: 0-100.

2.2.4 VGA (Only available under VGA mode)



ITEMS	OPTIONS
Auto	Off / On
Phase	0-100
Clock	0-100
H-Position	0-100
V-Position	0-100

- **Auto**

Select [On], the monitor can automatically adjust the position of the image.

Select [Off], users can manually adjust the position of the image.

- **Phase**

Adjust internal phase sequence difference. Adjustable range: 0-100.

- **Clock**

Adjust internal oscillation frequency when interference occurs. Adjust this item, the image can be compressed or stretched left or right. Adjustable range: 0-100.

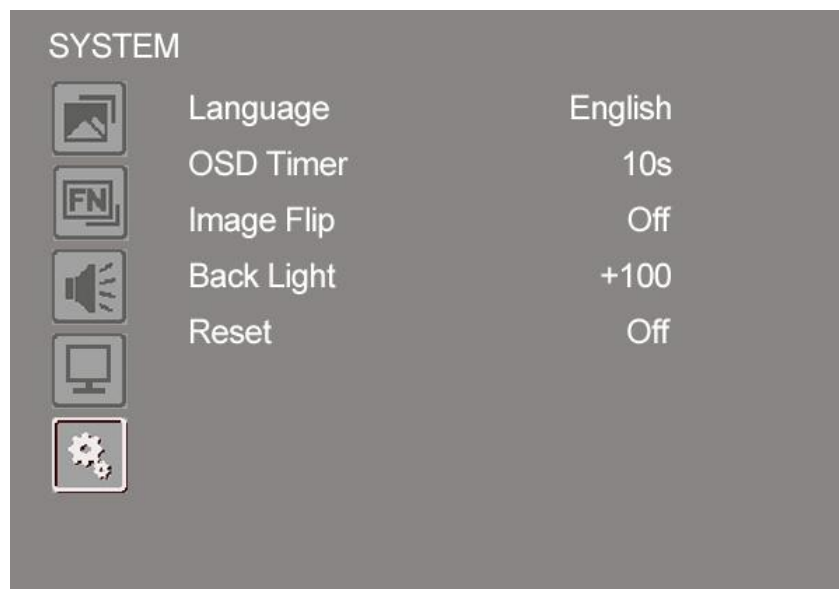
- **H-Position**

Horizontally adjust the position of the image on the screen. Adjustable range: 0-100.

- **V-Position**

Vertically adjust the position of the image on the screen. Adjustable range: 0-100.

2.2.5 SYSTEM



ITEMS	OPTIONS
Language	English / 中文
OSD Timer	10s / 20s / 30s
Image Flip	Off / H / V / H/V
Back Light	0-100
Reset	Off / On

- **Language**

Options: English / 中文.

- **OSD Timer**

Options: 10s / 20s / 30s.

- **Image Flip**

Options: Off / H / V / H/V.

- **Back Light**

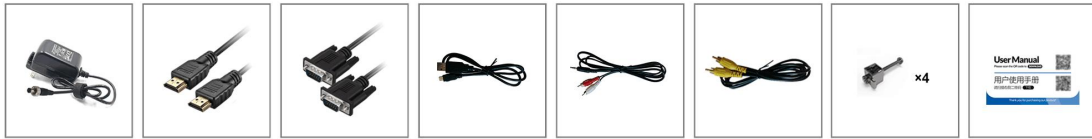
Adjustable range: 0-100.

- **Reset**

If there is any problem unknown, please select [On]. The monitor will restore factory defaults.

Chapter 4 Accessories

Standard:



- | | |
|---------------------------------------|------|
| 1) DC 12V 2A power adaptor | 1pcs |
| 2) HDMI A to A cable | 1pcs |
| 3) VGA cable | 1pcs |
| 4) USB cable for touch (for optional) | 1pcs |
| 5) Audio input cable | 1pcs |
| 6) AV input cable | 2pcs |
| 7) Fixed screw | 4pcs |
| 8) User manual card | 1pcs |

Chapter 5 Troubleshooting

- Only black-and-white display:
Check whether the color saturation is properly set or not.
- Power on but no pictures:
Check whether the cables of AV, HDMI, and VGA are correctly connected or not.
Please use the standard power adapter coming with the product package.
Improper power input may cause damage.
- Wrong or abnormal colors:
Check whether the cables are correctly and securely connected or not. Broken or loose pins of the cables may cause a bad contact.
- Other problems:
Please press MENU button, choose [SYSTEM]→ [Reset]→[On].

Note: Due to constant effort to improve products and product features, specifications may change without notice.