



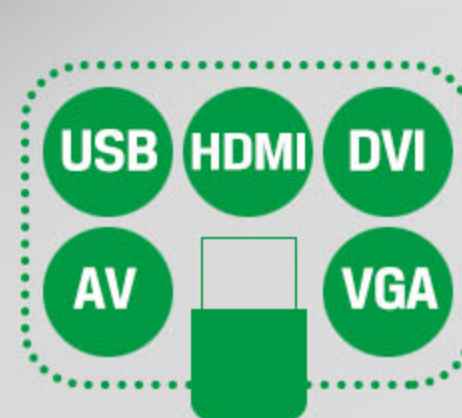
TK1330-NP/C/T TK1330-NP/C
(without touch function)
FULL HD 1920×1080

13.3" FULL HD HDMI MONITOR
WITH CAPACITIVE TOUCH FUNCTION



Excellent Display

Attractive 13.3 inch multi-touch capacitive IPS panel, which features with 1920x1080 Full HD resolution, 170° wide viewing angles, high contrast and brightness, providing satisfied viewing experience.



Rich Interfaces

Coming with HDMI, DVI, VGA & AV input signals to meet different needs of various professional display applications.



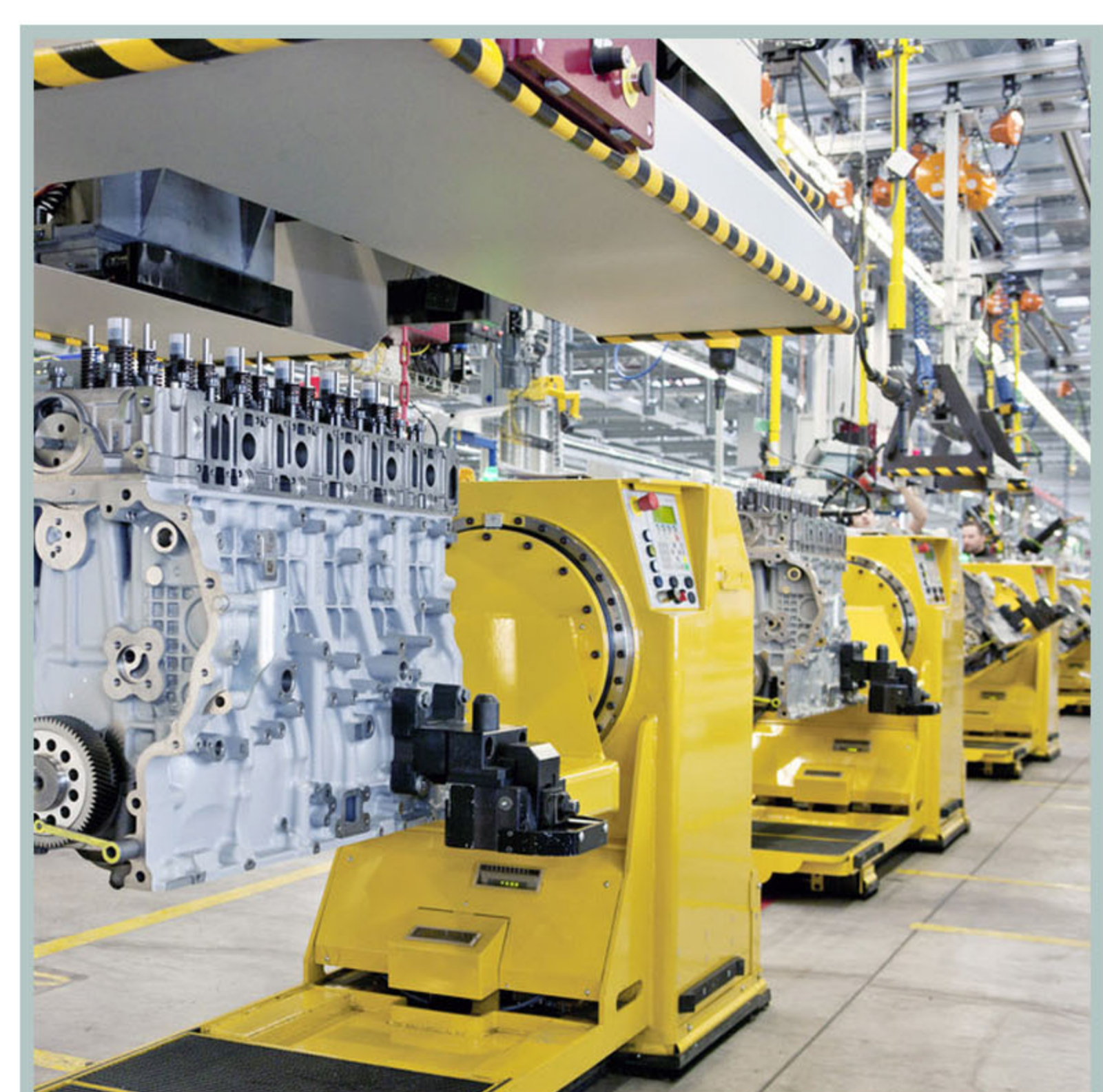
Metal Housing

Wiredrawing aluminum front shell with iron back shell, which make a good protection from damage, and good-looking appearance, also extend the lifetime of monitor.



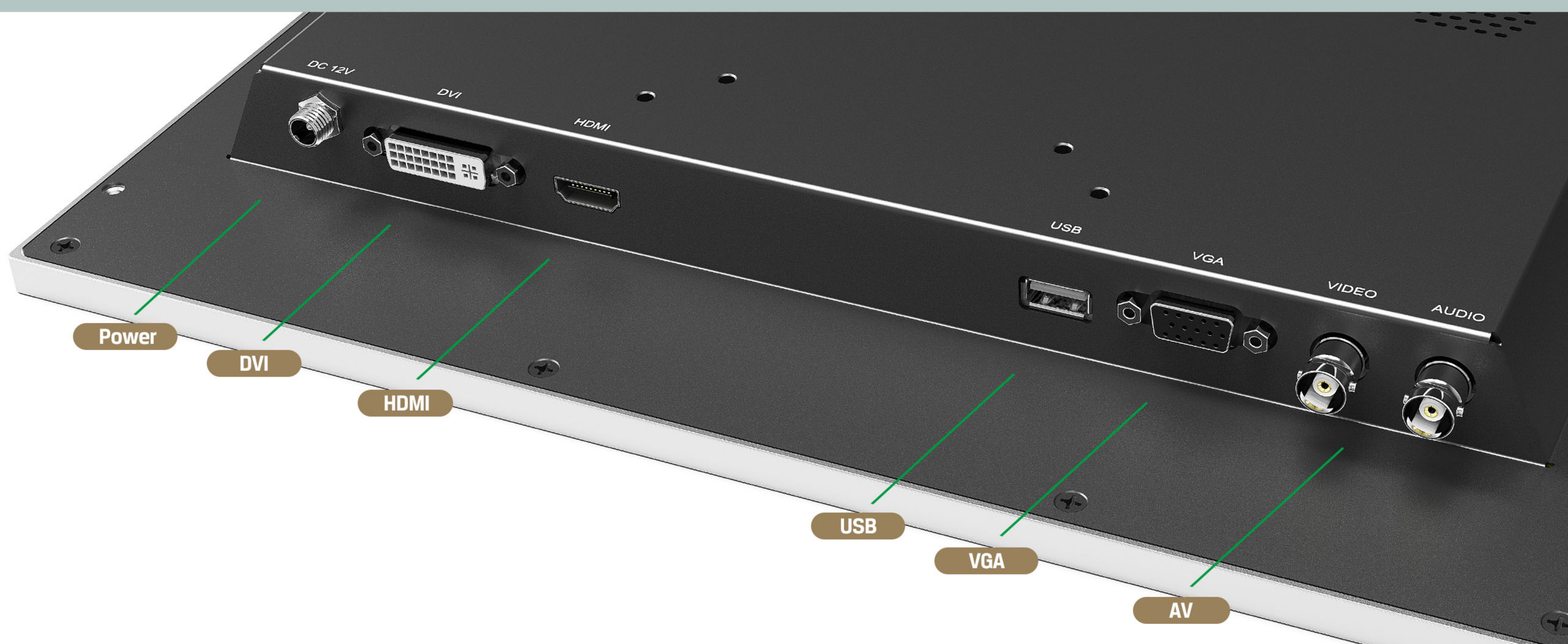
Mounts Mehtods

Having a variety of mounting usage in plenty of fields, such as rear, wall, 75mm/100mm VESA, desktop and roof mounts.



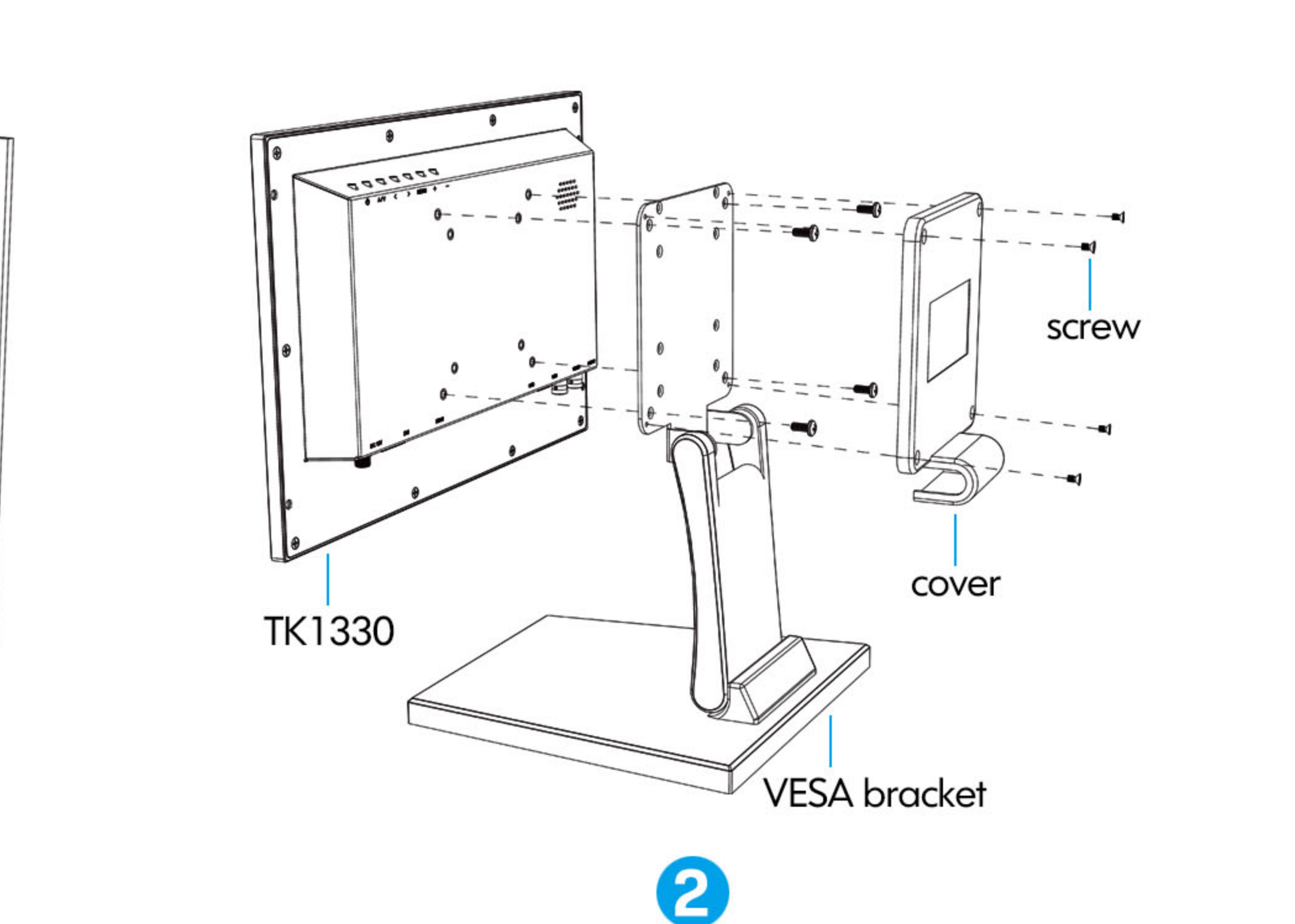
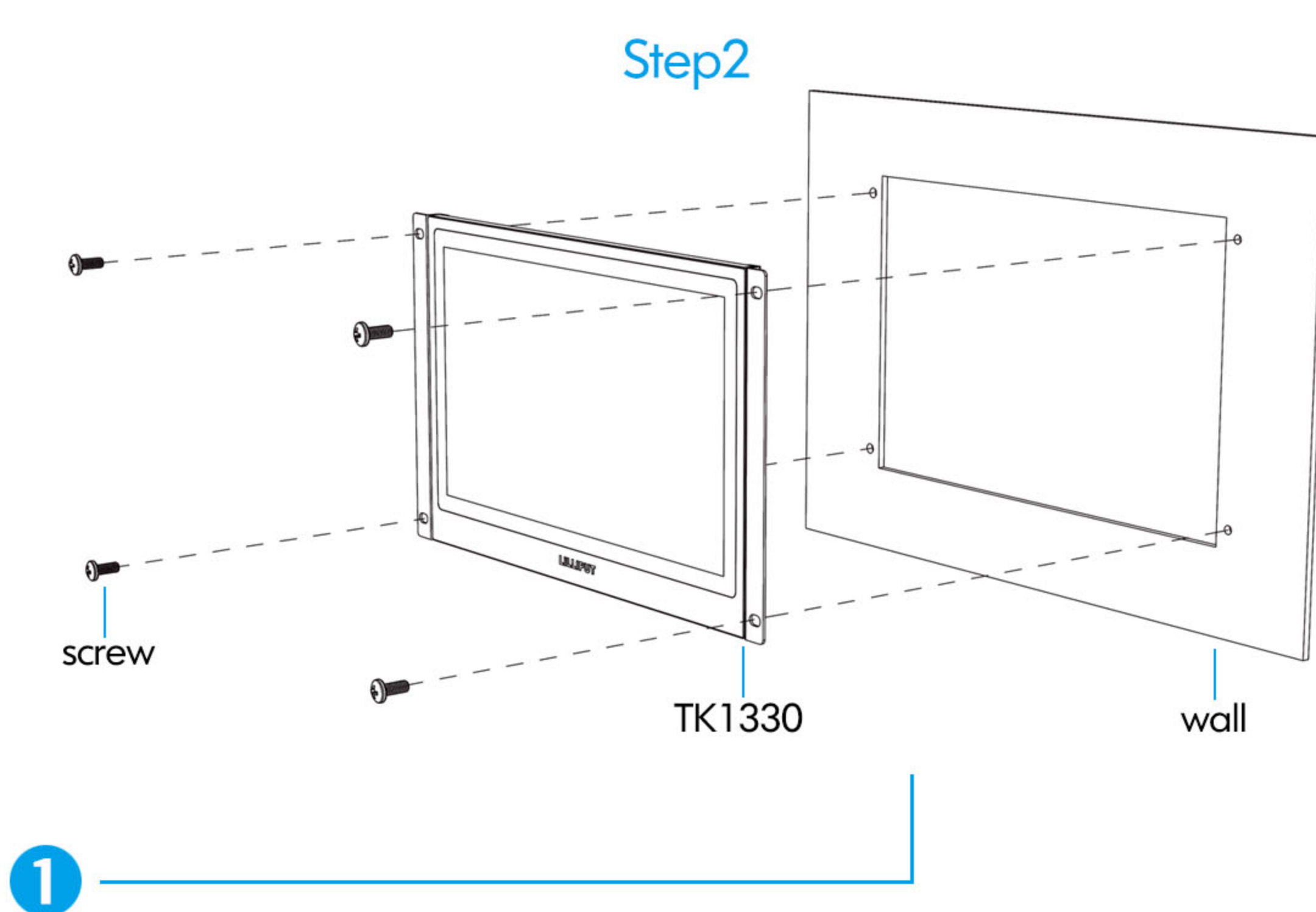
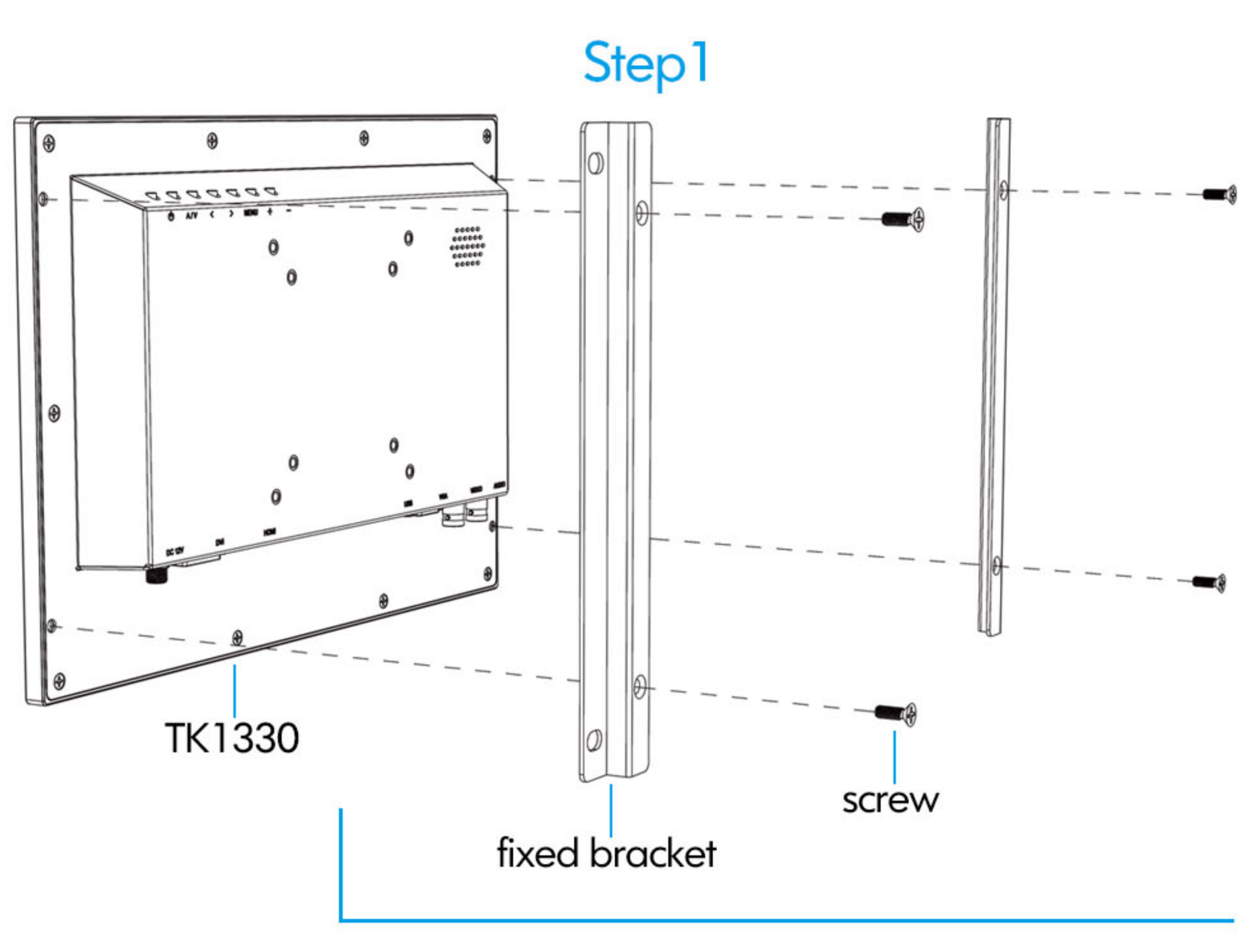
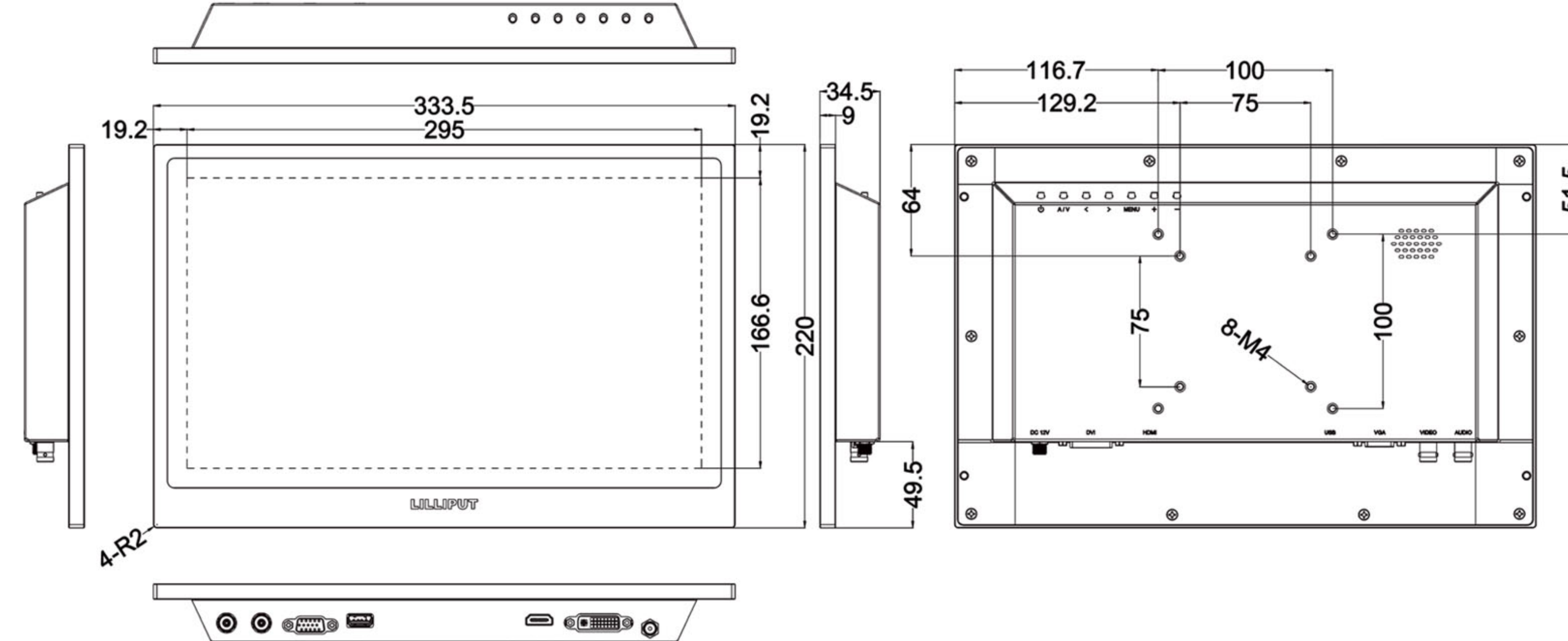
APPLICATION INDUSTRIES

Metal housing which can be applied in different professional fields. For instance, Human-machine interface, entertainment, retail, supermarket, mall, advertising player, CCTV monitoring, numerical control machine and intelligent industrial control system, etc.



Structure

supports rear/wall mounts with integrated brackets, and VESA 75mm/100mm standard mounting, etc. A metal housing design with slim and firm features making efficient integration into embedded or other professional display applications.



SPECIFICATIONS | ACCESSORIES

DISPLAY	Display Screen	13.3" LED IPS
	Resolution	1920 x 1080
	Aspect Ratio	16:9
	Touch Panel	Capacitive Touch (optional)
	Contrast Ratio	800:1
INPUT	Brightness	300cd/m ²
	Viewing Angle	170°/170° (H/V)
AUDIO	Input Signal	HDMI, VGA, AV, DVI
	Speaker	1
POWER	Input Voltage	DC 7-24V
	Battery	External (optional)
	Current	790mA
	Power Consumption	≤8W
ENVIRONMENT	Audio Output	≤1W
	Operating Temperature	-20°C~60°C
DIMENSION	Storage Temperature	-20°C~70°C
	Dimension(LWD)	333.5×166.6×34.5mm
	Weight	1800g

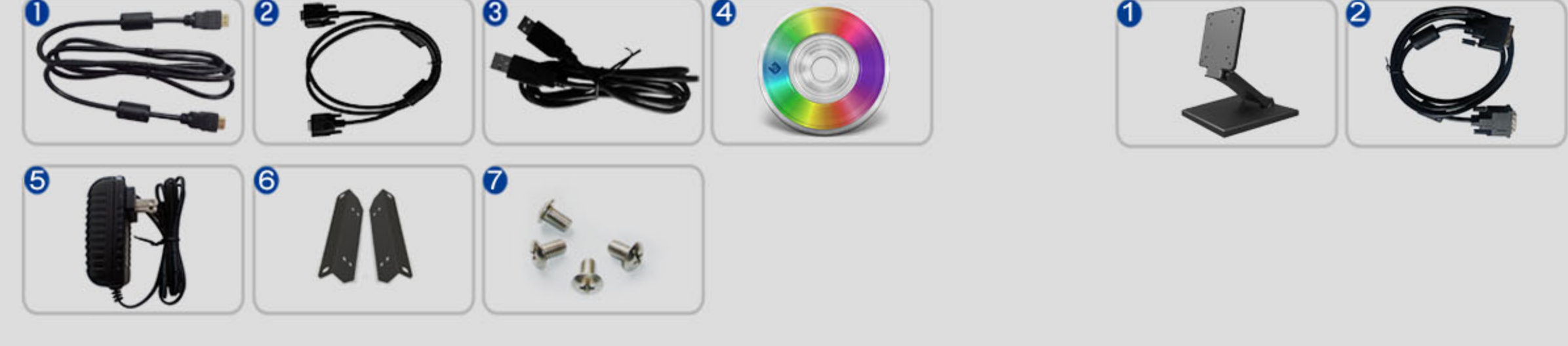
ACCESSORIES

STANDARD

1. HDMI A/A cable	1 piece
2. VGA cable	1 piece
3. USB cable (for touch function)	1 piece
4. Touch driver disk	1 piece
5. 12V DC adapter	1 piece
6. Fixed bracket with screws	1 pair
7. Screws for VESA mount	4 pieces

OPTIONAL

1. VESA folding bracket	1 piece
2. DVI cable	1 piece



STANDARD

OPTIONAL

Note: Due to constant effort to improve products and product features, specifications may change without notice.

